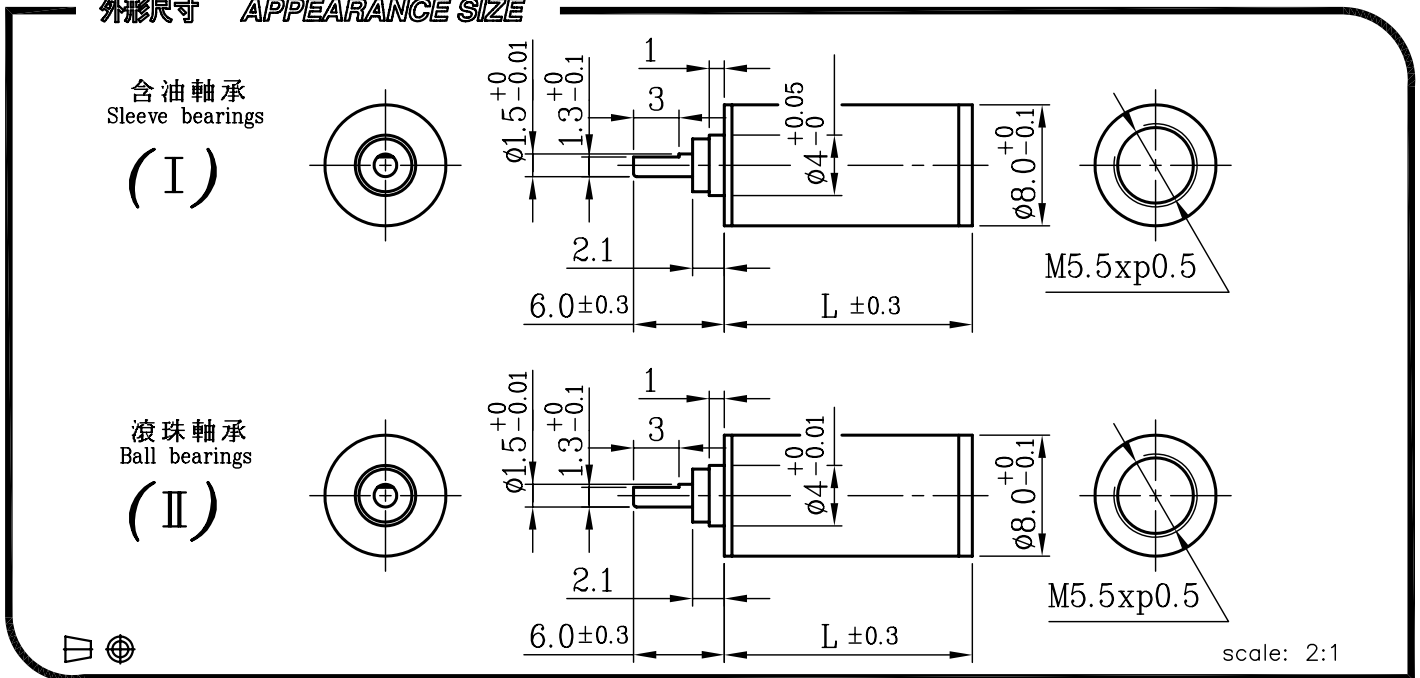


# IG-08



外殼材質 Housing material	金屬 metal	背隙(無負荷時) Backlash, at no-load	≤ 3°
輸出軸承型式 Bearing at output		含油軸承 Sleeve bearings	滾珠軸承 Ball bearings
徑向負荷 Radial load (5mm from flange)		≤ 80 gf	≤ 150 gf
軸向負荷 Shaft axial load		≤ 100 gf	≤ 100 gf
主軸最大承受壓入力 Shaft press fit force, max.		≤ 500 gf	≤ 500 gf
徑向間隙 Radial play of shaft		≤ 0.05 mm	≤ 0.04 mm
軸向間隙 Thrust play of shaft		≤ 0.2 mm	≤ 0.2 mm

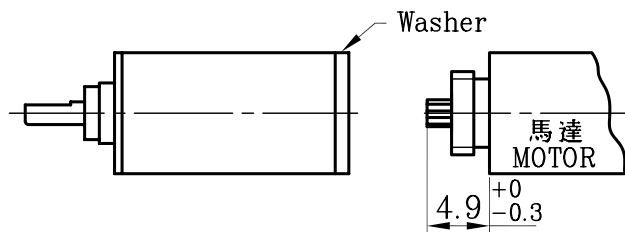
外形尺寸 APPEARANCE SIZE



馬達齒輪型式 / PINION SPECIFICATIONS

模數 Module	0.16
齒數 No. of teeth	12
壓力角 Pressure angle	20°
孔徑 Hole diameter	$\phi 0.99$
減速比 Reduction ratio	全種通用 Practicable

馬達裝卸方法 / MOTOR INSTALLATION



★ 使用相對溼度: 20%~85%RH      ★ 使用溫度範圍: -10°C~+60°C  
Operating relative humidity      Operating temperature range

標準減速比型式 / GEARBOXES SPECIFICATIONS

減速比 Reduction ratio	精確減速比 Exact reduction ratio	定格容許扭力 Rated tolerance torque	瞬間容許扭力 Max momentary tolerance torque	效率 Efficiency	L	重量(含油軸承) Weight (g) Sleeve bearings	重量(滾珠軸承) Weight (g) Ball bearings
1/4	4	50 gf-cm Max.	150 gf-cm	85%	9.6	2.9	2.9
1/16	16	100 gf-cm Max.	300 gf-cm	75%	12.3	3.8	3.8
1/64	64	200 gf-cm Max.	600 gf-cm	65%	15.0	4.6	4.6
1/256	256	300 gf-cm Max.	900 gf-cm	55%	17.7	5.4	5.4
1/1024	1024	350 gf-cm Max.	1050 gf-cm	45%	20.4	6.3	6.3
1/4096	4096	400 gf-cm Max.	1200 gf-cm	40%	23.1	7.1	7.1