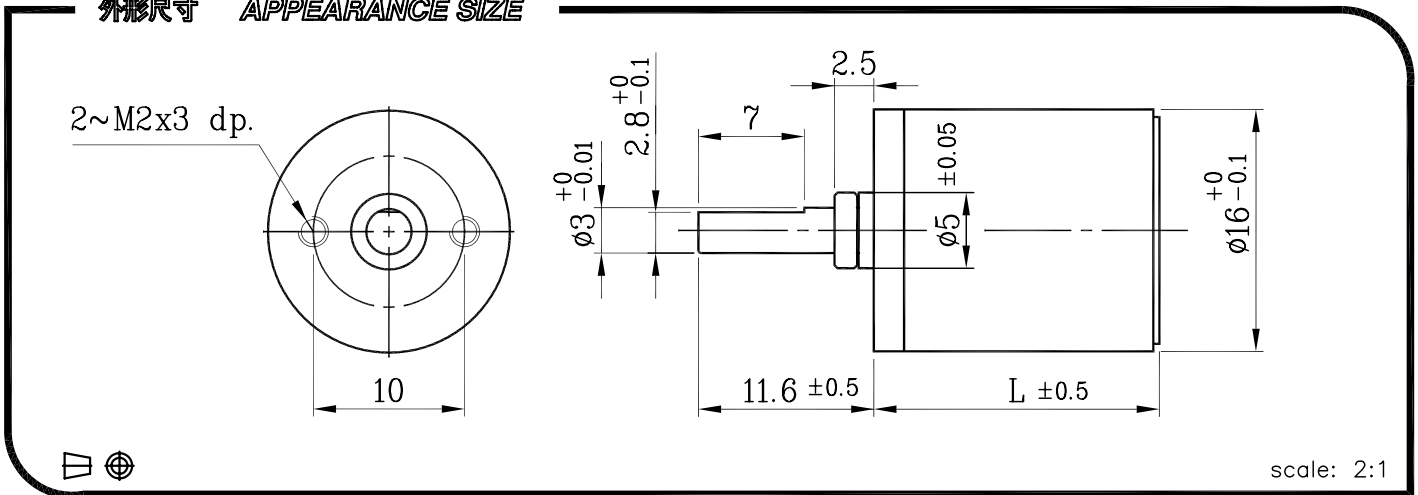


IG-16



外殼材質 Housing material	金屬 metal	背隙(無負荷時) Backlash, at no-load	≤ 3°
輸出軸承型式 Bearing at output	含油軸承 Sleeve bearings		
徑向負荷 Radial load (10mm from flange)	≤ 0.5 kgf		
軸向負荷 Shaft axial load	≤ 0.5 kgf		
主軸最大承受壓入力 Shaft press fit force, max.	≤ 1.5 kgf		
徑向間隙 Radial play of shaft	≤ 0.05 mm		
軸向間隙 Thrust play of shaft	≤ 0.2 mm		

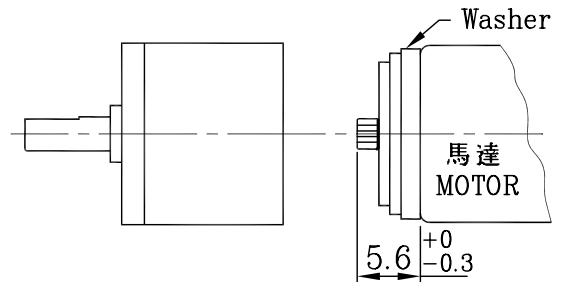
外形尺寸 APPEARANCE SIZE



馬達齒輪型式 / PINION SPECIFICATIONS

模數 Module	0.3				
齒數 No. of teeth	10	13			
壓力角 Pressure angle	20°				
孔徑 Hole diameter	φ1.49				
減速比 Reduction ratio	1/104	1/4	1/16	1/19	1/62
	1/455	1/84	1/231	1/316	1/370
	1/1996	1/1014	1/1621		

馬達裝卸方法 / MOTOR INSTALLATION



★ 使用相對溼度: 20%~85%RH ★ 使用溫度範圍: -10°C~+60°C
Operating relative humidity Operating temperature range

標準減速比型式 / GEARBOXES SPECIFICATIONS

減速比 Reduction ratio	精確減速比 Exact reduction ratio	定格容許扭力 Rated tolerance torque	瞬間容許扭力 Max momentary tolerance torque	效率 Efficiency	L	重量(含油軸承) Weight (g) Sleeve bearings
1/4	4 5/13	1.0 kgf-cm Max.	3.0 kgf-cm	80%	15.05	19.0
1/16,1/19	16 23/52, 19 38/169	1.5 kgf-cm Max.	4.5 kgf-cm	70%	18.70	23.0
1/62,1/84	61 137/208, 84 645/2197	2.0 kgf-cm Max.	6.0 kgf-cm	60%	22.35	27.0
1/104	103 688/845	2.0 kgf-cm Max.	6.0 kgf-cm	60%	22.35	27.0
1/231	231 183/832	2.5 kgf-cm Max.	7.5 kgf-cm	50%	26.00	31.0
1/316	316 887/8788	2.5 kgf-cm Max.	7.5 kgf-cm	50%	26.00	31.0
1/370	369 16992/28561	2.5 kgf-cm Max.	7.5 kgf-cm	50%	26.00	31.0
1/455	455 2036/10985	2.5 kgf-cm Max.	7.5 kgf-cm	50%	26.00	31.0
1/1014	1013 8767/10816	3.0 kgf-cm Max.	9.0 kgf-cm	40%	29.65	35.0
1/1621	1620 197397/371293	3.0 kgf-cm Max.	9.0 kgf-cm	40%	29.65	35.0
1/1996	1995 116052/142805	3.0 kgf-cm Max.	9.0 kgf-cm	40%	29.65	35.0