

IG-22

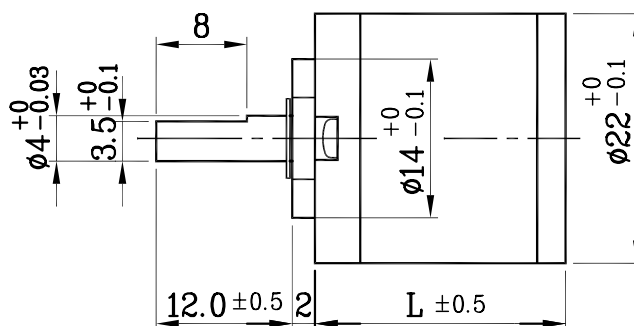
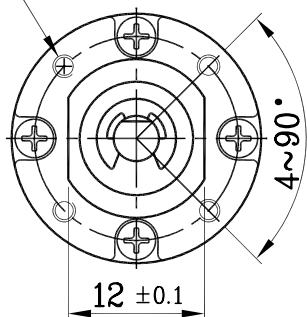


外殼材質 Housing material	金屬 metal	背隙(無負荷時) Backlash, at no-load	≤ 3°
輸出軸承型式 Bearing at output		含油軸承 Sleeve bearings	滾珠軸承 Ball bearings
徑向負荷 Radial load (10mm from flange)		≤ 0.8 kgf	≤ 1 kgf
軸向負荷 Shaft axial load		≤ 0.6 kgf	≤ 0.6 kgf
主軸最大承受壓入力 Shaft press fit force, max.		≤ 5 kgf	≤ 5 kgf
徑向間隙 Radial play of shaft		≤ 0.05 mm	≤ 0.04 mm
軸向間隙 Thrust play of shaft		≤ 0.2 mm	≤ 0.2 mm

外形尺寸 APPEARANCE SIZE

4~M2x4.0 dp.

PCD ø18

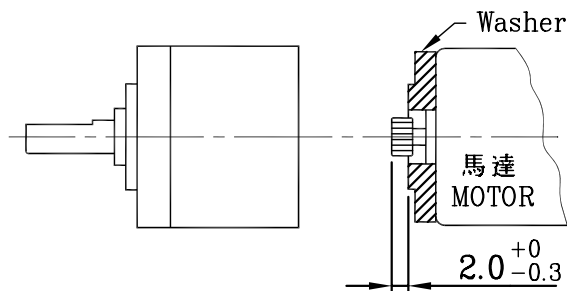


scale: 3:2

馬達齒輪型式 / PINION SPECIFICATIONS

模數 Module	0.3
齒數 No. of teeth	13
壓力角 Pressure angle	20°
孔徑 Hole diameter	ø1.98
減速比 Reduction ratio	全種通用 Practicable

馬達裝卸方法 / MOTOR INSTALLATION



標準減速比型式 / GEARBOXES SPECIFICATIONS

★ 使用相對溼度: 20%~85%RH ★ 使用溫度範圍: -10°C~+60°C
Operating relative humidity Operating temperature range

減速比 Reduction ratio	精確減速比 Exact reduction ratio	定格容許扭力 Rated tolerance torque	瞬間容許扭力 Max momentary tolerance torque	效率 Efficiency	L	重量(含油軸承) Weight (g) Sleeve bearings	重量(滾珠軸承) Weight (g) Ball bearings
1/4	4 5/13	1.0 kgf-cm Max.	3.0 kgf-cm	80%	14.40	27.0	26.0
1/14	14 1/16	1.5 kgf-cm Max.	4.5 kgf-cm	70%	18.05	31.0	30.0
1/16, 1/19	16 23/52, 19 38/169	1.5 kgf-cm Max.	4.5 kgf-cm	70%	18.05	31.0	30.0
1/62, 1/84	61 137/208, 84 645/2197	2.0 kgf-cm Max.	6.0 kgf-cm	60%	21.70	35.0	34.0
1/104	103 688/845	2.0 kgf-cm Max.	6.0 kgf-cm	60%	21.70	35.0	34.0
1/231	231 183/832	2.5 kgf-cm Max.	7.5 kgf-cm	50%	25.35	40.0	39.0
1/316	316 887/8788	2.5 kgf-cm Max.	7.5 kgf-cm	50%	25.35	40.0	39.0
1/370	369 16992/28561	2.5 kgf-cm Max.	7.5 kgf-cm	50%	25.35	40.0	39.0
1/455	455 2036/10985	2.5 kgf-cm Max.	7.5 kgf-cm	50%	25.35	40.0	39.0
1/1014	1013 8767/10816	3.0 kgf-cm Max.	9.0 kgf-cm	40%	29.00	44.0	43.0
1/1621	1620 197397/371293	3.0 kgf-cm Max.	9.0 kgf-cm	40%	29.00	44.0	43.0
1/1996	1995 116052/142805	3.0 kgf-cm Max.	9.0 kgf-cm	40%	29.00	44.0	43.0