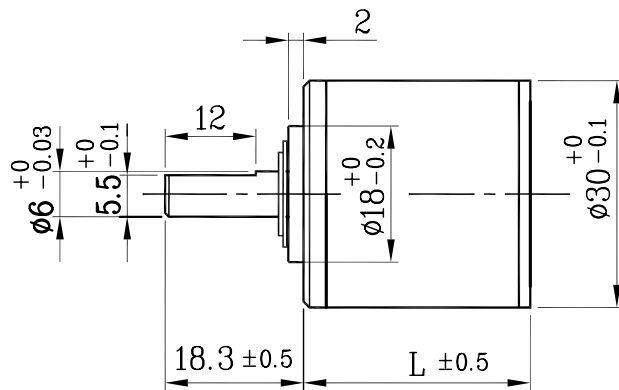
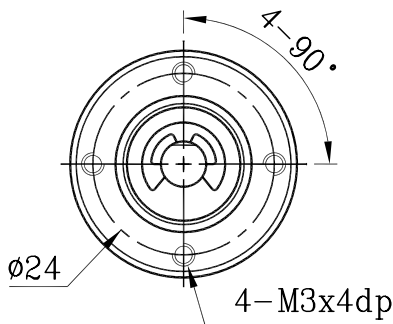


IG-30



| | | | |
|--|-------------|----------------------------------|-----------------------|
| 外殼材質 Housing material | 金屬 metal | 背隙(無負荷時) Backlash, at no-load | ≤ 2.5° |
| 輸出軸承型式 Bearing at output | | 含油軸承 Sleeve bearings | 滾珠軸承 Ball bearings |
| 徑向負荷 Radial load (10mm from flange) | | ≤ 3 kgf | ≤ 3.5 kgf |
| 軸向負荷 Shaft axial load | | ≤ 2.5 kgf | ≤ 2.5 kgf |
| 主軸最大承受壓入力 Shaft press fit force, max. | | ≤ 10 kgf | ≤ 10 kgf |
| 徑向間隙 Radial play of shaft | | ≤ 0.05 mm | ≤ 0.04 mm |
| 軸向間隙 Thrust play of shaft | | ≤ 0.3 mm | ≤ 0.3 mm |

外形尺寸 APPEARANCE SIZE

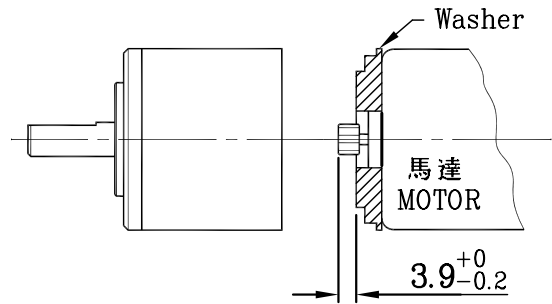


scale: 1:1

馬達齒輪型式 / PINION SPECIFICATIONS

| | | | | | |
|------------------------|----------------------------|--------------------|--------------------|------------------------|-------------|
| 模數 Module | 0.5 | | | | |
| 齒數 No. of teeth | 11 | 17 | 8 | | |
| 壓力角 Pressure angle | 20° | | | | |
| 孔徑 Hole diameter | φ2.28, φ2.48, φ2.98, φ3.16 | φ2.28 | | | |
| 減速比 Reduction ratio | 1/5, 1/71, 1/264 | 1/19, 1/100, 1/516 | 1/27, 1/139, 1/721 | 1/4, 1/14, 1/51, 1/189 | 1/35, 1/939 |

馬達裝卸方法 / MOTOR INSTALLATION



標準減速比型式 / GEARBOXES SPECIFICATIONS

★ 使用相對溼度: 20%~85%RH ★ 使用溫度範圍: -10°C~+60°C
Operating relative humidity Operating temperature range

| 減速比 Reduction ratio | 精確減速比 Exact reduction ratio | 定格容許扭力 Rated tolerance torque | 瞬間容許扭力 Max momentary tolerance torque | 效率 Efficiency | L | 重量(含油軸承) Weight (g) Sleeve bearings | 重量(滾珠軸承) Weight (g) Ball bearings |
|------------------------|--------------------------------|----------------------------------|--|------------------|------|--|--------------------------------------|
| 1/4,1/5 | 3 12/17, 5 2/11 | 2.0 kgf-cm Max. | 6.0 kgf-cm | 80% | 23.6 | 79 | 78 |
| 1/14,1/19 | 13 212/289, 19 38/187 | 3.0 kgf-cm Max. | 9.0 kgf-cm | 70% | 30.0 | 92 | 91 |
| 1/27,1/35 | 26 103/121, 34 43/44 | 4.0 kgf-cm Max. | 12.0 kgf-cm | 70% | 30.0 | 92 | 91 |
| 1/51,1/71 | 50 4397/4913, 71 524/3179 | 6.0 kgf-cm Max. | 18.0 kgf-cm | 60% | 36.4 | 107 | 106 |
| 1/100 | 99 1044/2057 | 8.0 kgf-cm Max. | 24.0 kgf-cm | 60% | 36.4 | 107 | 106 |
| 1/139 | 139 184/1331 | 8.0 kgf-cm Max. | 24.0 kgf-cm | 60% | 36.4 | 107 | 106 |
| 1/189 | 188 51013/83521 | 10.0 kgf-cm Max. | 30.0 kgf-cm | 50% | 42.8 | 122 | 121 |
| 1/264 | 263 39370/54043 | 10.0 kgf-cm Max. | 30.0 kgf-cm | 50% | 42.8 | 122 | 121 |
| 1/516 | 515 14254/22627 | 10.0 kgf-cm Max. | 30.0 kgf-cm | 50% | 42.8 | 122 | 121 |
| 1/721 | 720 14481/14641 | 10.0 kgf-cm Max. | 30.0 kgf-cm | 50% | 42.8 | 122 | 121 |
| 1/939 | 939 975/5324 | 10.0 kgf-cm Max. | 30.0 kgf-cm | 50% | 42.8 | 122 | 121 |