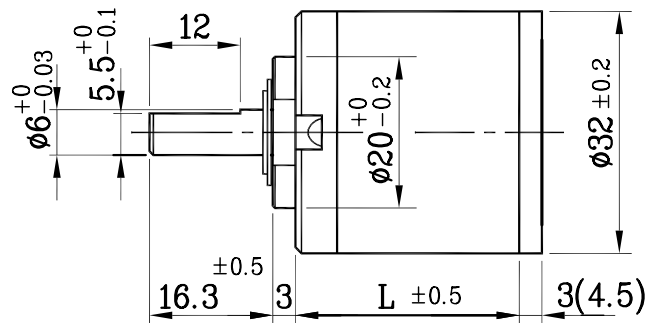
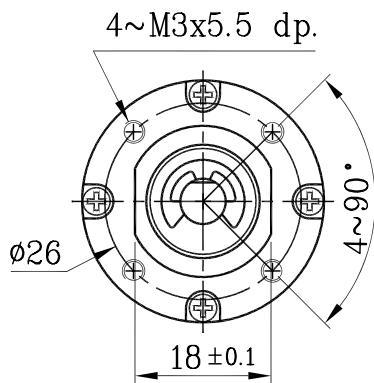


IG-32



外殼材質 Housing material	金屬 metal	背隙(無負荷時) Backlash, at no-load	≤ 2.5°
輸出軸承型式 Bearing at output		含油軸承 Sleeve bearings	滾珠軸承 Ball bearings
徑向負荷 Radial load (10mm from flange)		≤ 3 kgf	≤ 3.5 kgf
軸向負荷 Shaft axial load		≤ 2.5 kgf	≤ 2.5 kgf
主軸最大承受壓入力 Shaft press fit force, max.		≤ 10 kgf	≤ 10 kgf
徑向間隙 Radial play of shaft		≤ 0.05 mm	≤ 0.04 mm
軸向間隙 Thrust play of shaft		≤ 0.3 mm	≤ 0.3 mm

外形尺寸 APPEARANCE SIZE

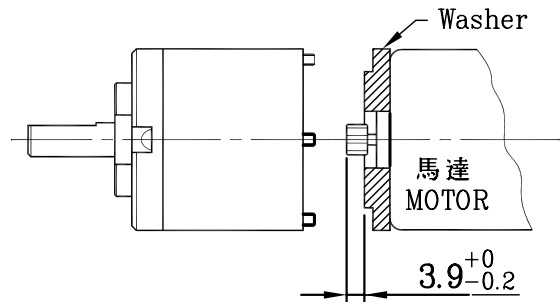


scale: 1:1

馬達齒輪型式 / PINION SPECIFICATIONS

模數 Module	0.5				
齒數 No. of teeth	11	17	8		
壓力角 Pressure angle	20°				
孔徑 Hole diameter	φ2.28, φ2.48, φ2.98, φ3.16	φ2.28			
減速比 Reduction ratio	1/5, 1/71, 1/264	1/19, 1/100, 1/516	1/27, 1/139, 1/721	1/4, 1/14, 1/51, 1/189	1/35, 1/939

馬達裝卸方法 / MOTOR INSTALLATION



標準減速比型式 / GEARBOXES SPECIFICATIONS

★ 使用相對溼度: 20%~85%RH ★ 使用溫度範圍: -10°C~+60°C
Operating relative humidity Operating temperature range

減速比 Reduction ratio	精確減速比 Exact reduction ratio	定格容許扭力 Rated tolerance torque	瞬間容許扭力 Max momentary tolerance torque	效率 Efficiency	L	重量(含油軸承) Weight (g) Sleeve bearings	重量(滾珠軸承) Weight (g) Ball bearings
1/4, 1/5	3 12/17, 5 2/11	2.0 kgf-cm Max.	6.0 kgf-cm	80%	17.6	102	101
1/14, 1/19	13 212/289, 19 38/187	4.0 kgf-cm Max.	12.0 kgf-cm	70%	24.0	122	121
1/27, 1/35	26 103/121, 34 43/44	6.0 kgf-cm Max.	18.0 kgf-cm	70%	24.0	122	121
1/51, 1/71	50 4397/4913, 71 524/3179	8.0 kgf-cm Max.	24.0 kgf-cm	60%	30.4	147	146
1/100	99 1044/2057	10.0 kgf-cm Max.	30.0 kgf-cm	60%	30.4	147	146
1/139	139 184/1331	10.0 kgf-cm Max.	30.0 kgf-cm	60%	30.4	147	146
1/189	188 51013/83521	12.0 kgf-cm Max.	36.0 kgf-cm	50%	36.8	173	172
1/264	263 39370/54043	12.0 kgf-cm Max.	36.0 kgf-cm	50%	36.8	173	172
1/516	515 14254/22627	12.0 kgf-cm Max.	36.0 kgf-cm	50%	36.8	173	172
1/721	720 14481/14641	12.0 kgf-cm Max.	36.0 kgf-cm	50%	36.8	173	172
1/939	939 975/5324	12.0 kgf-cm Max.	36.0 kgf-cm	50%	36.8	173	172