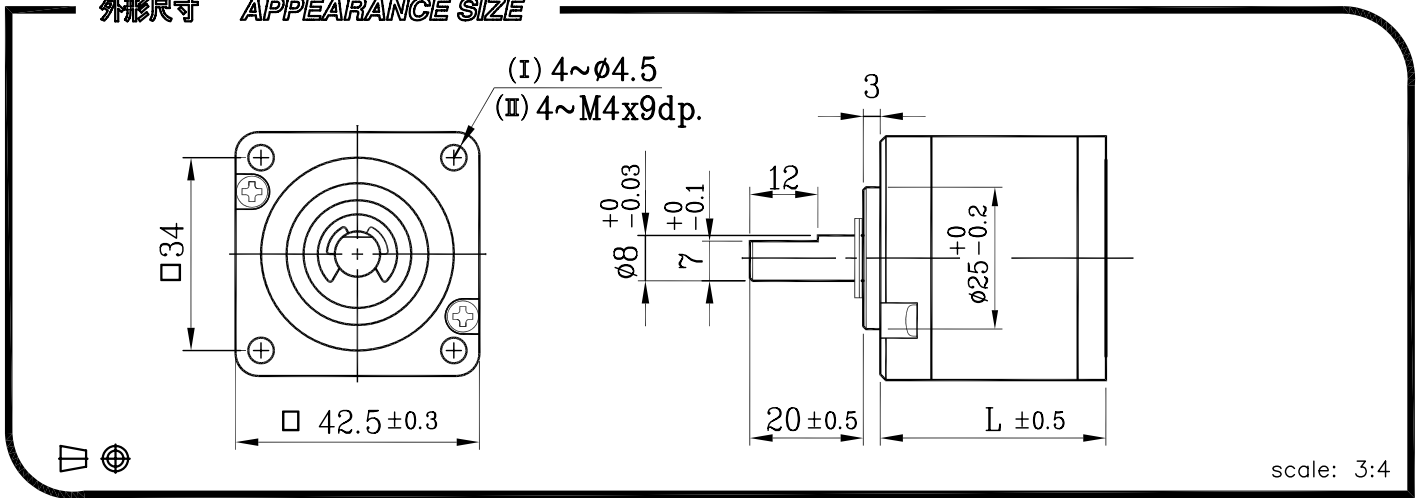


IG-43



外殼材質 Housing material	金屬 metal	背隙(無負荷時) Backlash, at no-load	≤ 3°
輸出軸承型式 Bearing at output		滾珠軸承 Ball bearings	
徑向負荷 Radial load (10mm from flange)		≤ 8 kgf	
軸向負荷 Shaft axial load		≤ 3 kgf	
主軸最大承受壓入力 Shaft press fit force, max.		≤ 15 kgf	
徑向間隙 Radial play of shaft		≤ 0.04 mm	
軸向間隙 Thrust play of shaft		≤ 0.3 mm	

外形尺寸 APPEARANCE SIZE

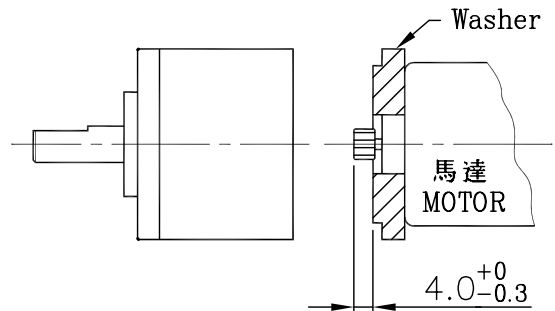


scale: 3:4

馬達齒輪型式 / PINION SPECIFICATIONS

模數 Module	0.6				
齒數 No. of teeth	12	15	18	24	20
壓力角 Pressure angle	20°				
孔徑 Hole diameter	∅3.16 , ∅3.98				
減速比 Reduction ratio	1/24, 1/84 1/104, 1/144 1/504, 1/864	1/720	1/17 1/61 1/212	1/14 1/49	1/4

馬達裝卸方法 / MOTOR INSTALLATION



標準減速比型式 / GEARBOXES SPECIFICATIONS

★ 使用相對溼度: 20%~85%RH ★ 使用溫度範圍: -10°C~+60°C
Operating relative humidity Operating temperature range

減速比 Reduction ratio	精確減速比 Exact reduction ratio	定格容許扭力 Rated tolerance torque	瞬間容許扭力 Max momentary tolerance torque	效率 Efficiency	L	重量(滾珠軸承) Weight (g) Ball bearings
1/4	4	4.0 kgf-cm Max.	12.0 kgf-cm	80%	26.15	190
1/14, 1/17, 1/24	14, 17 1/3, 24	8.0 kgf-cm Max.	24.0 kgf-cm	70%	32.95	250
1/49, 1/61, 1/84	49, 60 2/3, 84	15.0 kgf-cm Max.	45.0 kgf-cm	60%	39.75	305
1/104, 1/144	104, 144	20.0 kgf-cm Max.	60.0 kgf-cm	60%	39.75	305
1/212, 1/294	212 1/3, 294	25.0 kgf-cm Max.	75.0 kgf-cm	50%	46.45	360
1/504, 1/624	504, 624	30.0 kgf-cm Max.	90.0 kgf-cm	50%	46.45	360
1/720, 1/864	720, 864	30.0 kgf-cm Max.	90.0 kgf-cm	50%	46.45	360