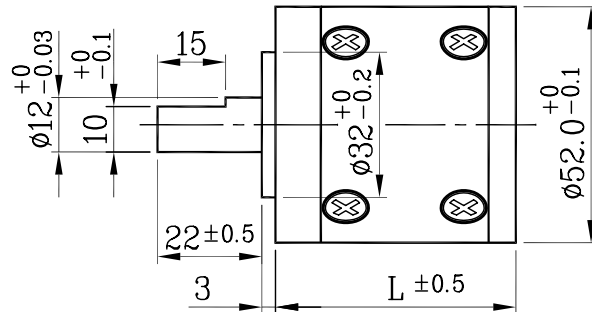
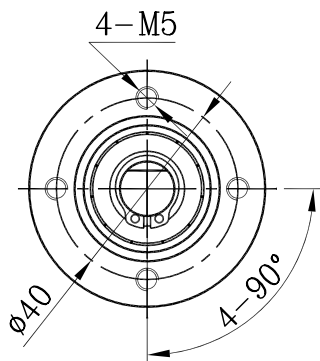


IG-52



外殼材質 Housing material	金屬 metal	背隙(無負荷時) Backlash, at no-load	≤ 3°
輸出軸承型式 Bearing at output		滾珠軸承 Ball bearings	
徑向負荷 Radial load (10mm from flange)		≤ 20 kgf	
軸向負荷 Shaft axial load		≤ 10 kgf	
主軸最大承受壓入力 Shaft press fit force, max.		≤ 30 kgf	
徑向間隙 Radial play of shaft		≤ 0.04 mm	
軸向間隙 Thrust play of shaft		≤ 0.3 mm	

外形尺寸 APPEARANCE SIZE

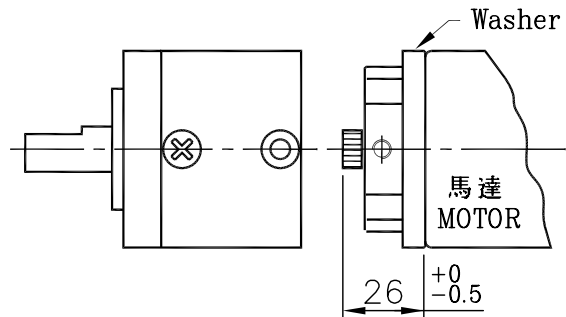


scale: 3:5

馬達齒輪型式 / PINION SPECIFICATIONS

模數 Module	1.0		
齒數 No. of teeth	8	12	16
壓力角 Pressure angle	20°		
孔徑 Hole diameter	ø3.98	ø5.98, ø6.34	
減速比 Reduction ratio	1/21, 1/26 1/126, 1/156 1/488, 1/546 1/676, 1/756 1/936	1/4, 1/15 1/19, 1/53 1/66, 1/81 1/113, 1/230 1/285, 1/353	1/3 1/12 1/43 1/150

馬達裝卸方法 / MOTOR INSTALLATION



★ 使用相對溼度: 20%~85%RH ★ 使用溫度範圍: -10°C~+60°C
Operating relative humidity Operating temperature range

標準減速比型式 / GEARBOXES SPECIFICATIONS

減速比 Reduction ratio	精確減速比 Exact reduction ratio	定格容許扭力 Rated tolerance torque	瞬間容許扭力 Max momentary tolerance torque	效率 Efficiency	L	重量(滾珠軸承) Weight (g) Ball bearings
1/3, 1/4	3 1/2, 4 1/3	15 kgf-cm Max.	45 kgf-cm	80%	53.0	475
1/12, 1/15	12 1/4, 15 1/6	50 kgf-cm Max.	150 kgf-cm	70%	68.5	660
1/19, 1/21, 1/26	18 7/9, 21, 26	50 kgf-cm Max.	150 kgf-cm	70%	68.5	660
1/43, 1/53, 1/66	42 7/8, 53 1/12, 65 13/18	100 kgf-cm Max.	300 kgf-cm	60%	84.0	850
1/81, 1/100	81 10/27, 100 2/7	100 kgf-cm Max.	300 kgf-cm	60%	84.0	850
1/113, 1/126	112 2/3, 126	100 kgf-cm Max.	300 kgf-cm	60%	84.0	850
1/150	150 1/16	100 kgf-cm Max.	300 kgf-cm	50%	99.5	1020
1/230, 1/285	230 1/36, 284 43/54	100 kgf-cm Max.	300 kgf-cm	50%	99.5	1020
1/353, 1/488	352 49/81, 488 2/9	100 kgf-cm Max.	300 kgf-cm	50%	99.5	1020
1/546, 1/676	546, 676	100 kgf-cm Max.	300 kgf-cm	50%	99.5	1020
1/756, 1/936	756, 936	100 kgf-cm Max.	300 kgf-cm	50%	99.5	1020