

EK系列 (凸形固定側) Support Unit EK (fixed-side rectangular type)

訂購編號 Order Coding	型號 Model No.	表面處理 Surface treatment	適用螺桿 Applicable ballscrew accuracy grade	使用軸承 Bearing	
EK05_C7	EK05	染黑 Black Oxide	C7	605	 <p style="text-align: center;">染黑 (適用環境：一般) Black Oxide (Application : General case)</p>
EK05_C7N		化學鍍 Electroless Nickel Plating	C7	605	
EK06_C7	EK06	染黑 Black Oxide	C7	606	
EK06_C5			C5	706A P0	
EK06_C3			C3	706A P5	
EK06_C7N		化學鍍 Electroless Nickel Plating	C7	606	
EK06_C5N			C5	706A P0	
EK06_C3N			C3	706A P5	
EK08_C7			EK08	染黑 Black Oxide	
EK08_C5	C5	708A P0			
EK08_C3	C3	708A P5			
EK08_C7N	化學鍍 Electroless Nickel Plating	C7		608	
EK08_C5N		C5		708A P0	
EK08_C3N		C3		708A P5	
EK10_C7	EK10	染黑 Black Oxide	C7	7000A P0	
EK10_C5			C5		
EK10_C3			C3	7000A P5	
EK10_C7N		化學鍍 Electroless Nickel Plating	C7	7000A P0	
EK10_C5N			C5		
EK10_C3N			C3	7000A P5	
EK12_C7	EK12	染黑 Black Oxide	C7	7001A P0	
EK12_C5			C5		
EK12_C3			C3	7001A P5	
EK12_C7N		化學鍍 Electroless Nickel Plating	C7	7001A P0	
EK12_C5N			C5		
EK12_C3N			C3	7001A P5	

備註 (Note) :

- EK05~EK08 C7級使用6字頭軸承，軸向需輕負荷，間隙約0.03mm。(欲訂此規格請先洽詢技術資料)
(Using deep groove ball bearings for EK05 to EK08 C7 types Support Units , Which only be applied to light load , and Max. axial clearance is around 0.03mm.)
- EK10~EK20 C7級使用之7字頭軸承無預壓處理，軸向最大間隙 0.018mm
(Using angular contact ball bearings without preload for EK10 to EK20 C7 types Support Units , and Max. axial clearance is 0.018mm.)
- C5級使用之軸承經預壓處理，軸向0間隙
(Bearings make Preload for C5 type support units , and Axial clearance is 0 mm..)
- 軸承皆採用日系品牌大廠
(All of bearings use Japan's brand bearings)

EK系列 (凸形固定側) Support Unit EK (fixed-side rectangular type)

訂購編號 Order Coding	型號 Model No.	表面處理 Surface treatment	適用螺桿 Applicable ballscrew accuracy grade	使用軸承 Bearing		
EK15_C7	EK15	染黑 Black Oxide	C7	7002A P0	  染黑 (適用環境：一般) Black Oxide (Application : General case)	
EK15_C5			C5			
EK15_C3			C3	7002A P5		
EK15_C7N		化學鍍 Electroless Nickel Plating	化學鍍 Electroless Nickel Plating	C7		7002A P0
EK15_C5N				C5		
EK15_C3N				C3		7002A P5
EK20_C7	EK20	染黑 Black Oxide	C7	7204A P0	  化學鍍 (適用環境：無塵室) Electroless Nickel Plating (Application : Clean room)	
EK20B_C7			C7	7204B P0		
EK20_C5			C5	7204A P0		
EK20B_C5			C5	7204B P0		
EK20_C3			C3	7204A P5		
EK20_C7N			化學鍍 Electroless Nickel Plating	化學鍍 Electroless Nickel Plating		C7
EK20B_C7N		C7				7204B P0
EK20_C5N		C5				7204A P0
EK20B_C5N		C5				7204B P0
EK20_C3N		C3				7204A P5

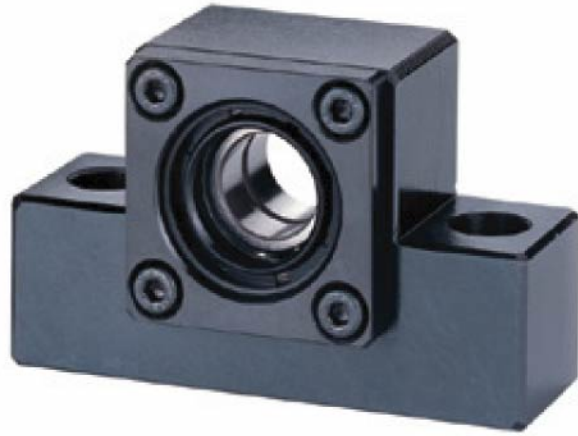
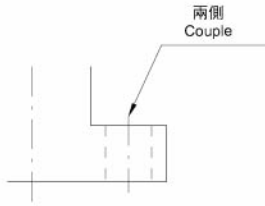
備註 (Note) :

- C7級使用之7字頭軸承無預壓處理，軸向最大間隙 0.018mm
(Using angular contact ball bearings without preload for C7 types Support Units , and Max. axial clearance is 0.018mm.)
- C5級使用之軸承經預壓處理，軸向0間隙
(Bearings make Preload for C5 type support units , and Axial clearance is 0 mm..)
- 軸承皆採用日系品牌大廠
(All of bearings use Japan's brand bearings)

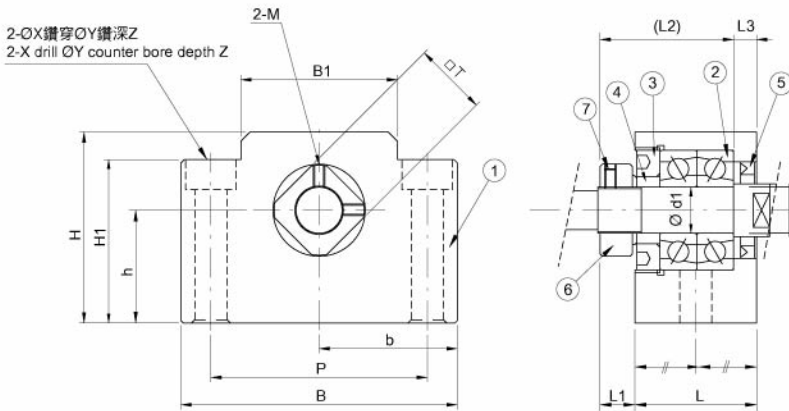
EK系列 (凸形固定側)

Support Unit EK
(fixed-side rectangular type)

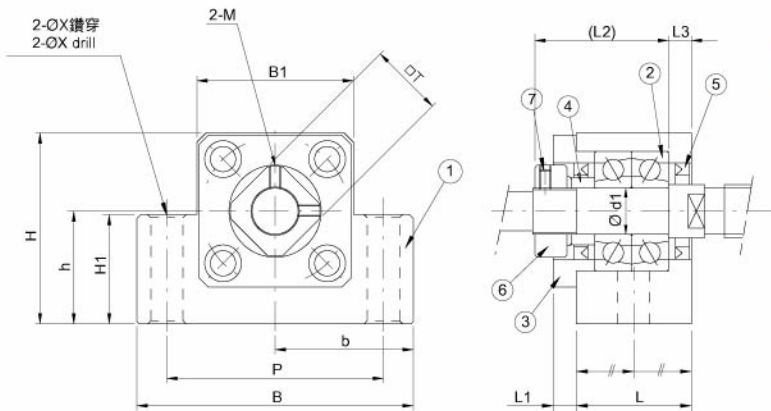
EK05



EK06, EK08



EK10~EK20



編號 / Part No.	部品名稱 / Part name	數量 / Qty
1	軸承座本體 / Housing	1
2	軸承 / Bearing	1組 / 1 set
3	壓板 / Holding lid	1
4	間隔圈 / Collar	2
5	軸封 / Seal	1 (2)
6	鎖固螺帽 / Lock nut	1
7	內六角止付螺絲附銅片 Hexagon socket-head Setscrew (with set piece)	2

單位 / Unit : mm

型號 Model No.	軸徑 Shaft diameter d1	L	L1	L2	L3	B	H	b ±0.02	h ±0.02	B1	H1	P	X	Y	Z	M	T
EK05	5	16.5	5.5	18.5	3.5	36	21	18	11	20	8	28	4.5	-	-	M3	11
EK06	6	20	5.5	22	3.5	42	25	21	13	18	20	30	5.5	9.5	11	M3	12
EK08	8	23	7	26	4	52	32	26	17	25	26	38	6.6	11	12	M3	14
EK10	10	24	6	29.5	6	70	43	35	25	36	24	52	9	-	-	M3	16
EK12	12	24	6	29.5	6	70	43	35	25	36	24	52	9	-	-	M4	19
EK15	15	25	6	36	5	80	49	40	30	41	25	60	11	-	-	M4	22
EK20	20	42	10	50	10	95	58	47.5	30	56	25	75	11	-	-	M4	30

EF系列 (凸形支撐側) Support Unit EF (Supported-side rectangular type)

訂購編號 Order Coding	型號 Model No.	表面處理 Surface treatment	適用螺桿 Applicable ballscrew accuracy grade	使用軸承 Bearing
EF06_C7	EF06	染黑 Black Oxide	C7	606ZZ
EF06_C3			C3 C5	606ZZ
EF06_C7N		化學鍍 Electroless Nickel Plating	C7	606VV
EF06_C3N			C3 C5	606VV
EF08_C7	EF08	染黑 Black Oxide	C7	606ZZ
EF08_C3			C3 C5	606ZZ
EF08_C7N		化學鍍 Electroless Nickel Plating	C7	606VV
EF08_C3N			C3 C5	606VV
EF10_C7	EF10	染黑 Black Oxide	C7	608ZZ
EF10_C3			C3 C5	608ZZ
EF10_C7N		化學鍍 Electroless Nickel Plating	C7	608DD
EF10_C3N			C3 C5	608DD
EF12_C7	EF12	染黑 Black Oxide	C7	6000ZZ
EF12_C3			C3 C5	6000ZZ
EF12_C7N		化學鍍 Electroless Nickel Plating	C7	6000DDU
EF12_C3N			C3 C5	6000DDU
EF15_C7	EF15	染黑 Black Oxide	C7	6002ZZ
EF15_C3			C3 C5	6002ZZ
EF15_C7N		化學鍍 Electroless Nickel Plating	C7	6002DDU
EF15_C3N			C3 C5	6002DDU
EF20_C7	EF20	染黑 Black Oxide	C7	6204ZZ
EF20_C3			C3 C5	6204ZZ
EF20_C7N		化學鍍 Electroless Nickel Plating	C7	6204DDU
EF20_C3N			C3 C5	6204DDU



染黑 (適用環境: 一般)
Black Oxide (Application: General case)



化學鍍 (適用環境: 無塵室)
Electroless Nickel Plating (Application: Clean room)

備註 (Note)

1. 染黑使用之軸承採用雙鐵蓋
(It is used double pressed steel cages for Black Oxide type support units.)
2. 化學鍍使用之軸承採用雙塑膠蓋
(It is used double plastic cages for Electroless Nickel Plating type support units.)
3. 軸承皆採用日系品牌大廠
(All of bearings use Japan's brand bearings.)

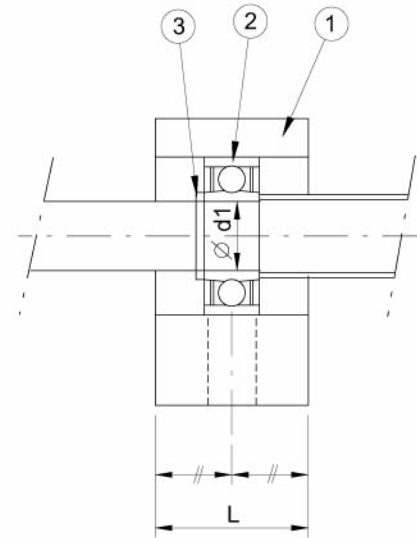
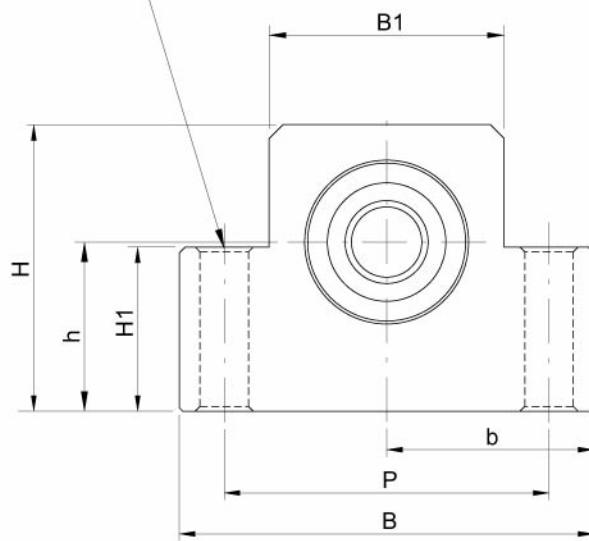


EF系列 (凸形支撐側)
Support Unit EF
(supported-side rectangular type)

編號/Part No.	部品名稱/Part name	數量/Qty
1	軸承座本體/Housing	1
2	軸承/Bearing	1組/1 set
3	C型扣環/Snap ring	1

EF

2-OX鑽穿OY鑽深Z
2-X drill OY counter bore depth Z



單位/Unit : mm

型號 Model No.	軸徑 Shaft diameter d1	L	B	H	b ±0.02	h ±0.02	B1	H1	P	X	Y	Z	使用軸承 Bearing	使用C型扣環 Snap ring
EF06	6	12	42	25	21	13	18	20	30	5.5	9.5	11	606ZZ	S 06
EF08	6	14	52	32	26	17	25	26	38	6.6	11	12	606ZZ	S 06
EF10	8	20	70	43	35	25	36	24	52	9	-	-	608ZZ	S 08
EF12	10	20	70	43	35	25	36	24	52	9	-	-	6000ZZ	S 10
EF15	15	20	80	49	40	30	41	25	60	9	-	-	6002ZZ	S 15
EF20	20	26	95	58	47.5	30	56	25	75	11	-	-	6204ZZ	S 20

BK系列 (方形固定側) Support Unit BK (fixed-side rectangular type)

訂購編號 Order Coding	型號 Model No.	表面處理 Surface treatment	適用螺桿 Applicable ballscrew accuracy grade	使用軸承 Bearing	
BK10_C7	BK10	染黑 Black Oxide	C7	7000A P0	 <p>★選配 Q (Q option)</p>
BK10_C5			C5		
BK10_C3			C3	7000A P5	
BK10_C7N		化學鍍 Electroless Nickel Plating	C7	7000A P0	
BK10_C5N			C5		
BK10_C3N			C3	7000A P5	
BK12_C7	BK12	染黑 Black Oxide	C7	7001A P0	
BK12_C5			C5		
BK12_C3			C3	7001A P5	
BK12_C7N		化學鍍 Electroless Nickel Plating	C7	7001A P0	
BK12_C5N			C5		
BK12_C3N			C3	7001A P5	
BK15_C7	BK15	染黑 Black Oxide	C7	7002A P0	 <p>染黑 (適用環境：一般) Black Oxide (Application : General case)</p>
BK15_C5			C5		
BK15_C3			C3	7002A P5	
BK15_C7N		化學鍍 Electroless Nickel Plating	C7	7002A P0	
BK15_C5N			C5		
BK15_C3N			C3	7002A P5	
BK17_C7	BK17	染黑 Black Oxide	C7	7203A P0	 <p>★選配 Q (Q option)</p>
BK17_C5			C5		
BK17_C3			C3	7203A P5	
BK17_C7N		化學鍍 Electroless Nickel Plating	C7	7203A P0	
BK17_C5N			C5		
BK17_C3N			C3	7203A P5	
BK20_C7	BK20	染黑 Black Oxide	C7	7004A P0	
BK20_C5			C5		
BK20_C3			C3	7004A P5	
BK20_C7N		化學鍍 Electroless Nickel Plating	C7	7004A P0	
BK20_C5N			C5		
BK20_C3N			C3	7004A P5	

備註(Note) :

1. C7級使用之7字頭軸承無預壓處理，軸向最大間隙 0.018mm
(Using angular contact ball bearings without preload for C7 types Support Units , and Max. axial clearance is 0.018mm.)
2. C5級使用之軸承經預壓處理，軸向0間隙
(Bearings make Preload for C5 type support units , and Axial clearance is 0 mm..)
3. 軸承皆採用日系品牌大廠
(All of bearings use Japan's brand bearings)
4. 標準品無油嘴 (標示★處)，若有需要請事先告知業務人員。
(The standard type is without Q , if required, please advise in advance.)

BK系列 (方形固定側) Support Unit BK (fixed-side rectangular type)

訂購編號 Order Coding	型號 Model No.	表面處理 Surface treatment	適用螺桿 Applicable ballscrew accuracy grade	使用軸承 Bearing	
BK25_C7	BK25	染黑 Black Oxide	C7	7205A P0	 <p>★選配 Q (Q option)</p> <p>染黑 (適用環境：一般) Black Oxide (Application : General case)</p>
BK25B_C7			C7	7205B P0	
BK25_C5			C5	7205A P0	
BK25B_C5			C5	7205B P0	
BK25_C3			C3	7205A P5	
BK25_C7N		化學鍍 Electroless Nickel Plating	C7	7205A P0	
BK25B_C7N			C7	7205B P0	
BK25_C5N			C5	7205A P0	
BK25B_C5N			C5	7205B P0	
BK25_C3N			C3	7205A P5	
BK30_C7	BK30	染黑 Black Oxide	C7	7206A P0	 <p>★選配 Q (Q option)</p> <p>化學鍍 (適用環境：無塵室) Electroless Nickel Plating (Application : Clean room)</p>
BK30B_C7			C7	7206B P0	
BK30_C5			C5	7206A P0	
BK30B_C5			C5	7206B P0	
BK30_C3			C3	7206A P5	
BK30_C7N		化學鍍 Electroless Nickel Plating	C7	7206A P0	
BK30B_C7N			C7	7206B P0	
BK30_C5N			C5	7206A P0	
BK30B_C5N			C5	7206B P0	
BK30_C3N			C3	7206A P5	
BK35_C7	BK35	染黑 Black Oxide	C7	7207B P0	
BK35_C5			C5		
BK35_C7N		化學鍍 Electroless Nickel Plating	C7	7207B P0	
BK35_C5N			C5		
BK40_C7	BK40	染黑 Black Oxide	C7	7208B P0	
BK40_C5			C5		
BK40_C7N		化學鍍 Electroless Nickel Plating	C7	7208B P0	
BK40_C5N			C5		

備註(Notes) :

- C7級使用之7字頭軸承無預壓處理，軸向最大間隙 0.018mm
(Using angular contact ball bearings without preload for C7 types Support Units , and Max. axial clearance is 0.018mm.)
- C5級使用之軸承經預壓處理，軸向0間隙
(Bearings make Preload for C5 type support units , and Axial clearance is 0 mm..)
- 軸承皆採用日系品牌大廠
(All of bearings use Japan's brand bearings)
- 標準品無油嘴 (標示★處)，若有需要請事先告知業務人員。
(The standard type is without Q , if required, please advise in advance.)

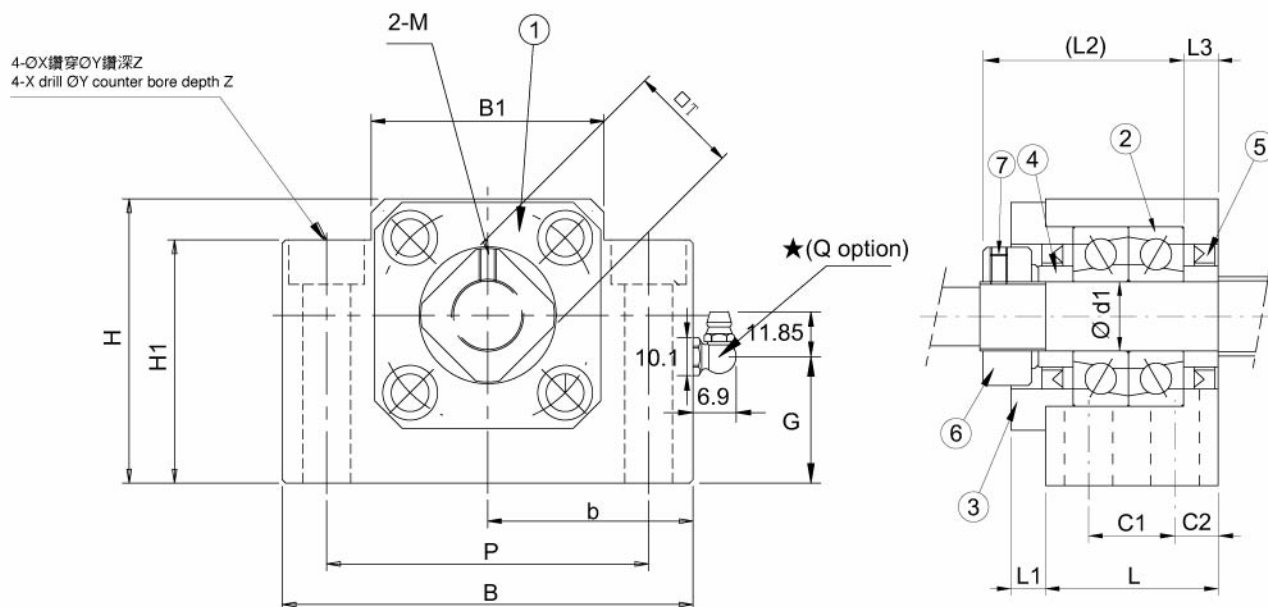
BK系列 (方形固定側)

Support Unit BK (fixed-side rectangular type)



編號 / Part No.	部品名稱 / Part name	數量 / Qty
1	軸承座本體 / Housing	1
2	軸承 / Bearing	1組 / 1 set
3	壓板 / Holding lid	1
4	間隔圈 / Collar	2
5	軸封 / Seal	2
6	鎖固螺帽 / Lock nut	1組 / 1set
7	內六角止付螺絲附銅片 Hexagon socket-head Setscrew (with set piece)	2

BK



單位 / Unit : mm

型號 Model No.	軸徑 Shaft diameter d1	L	L1	L2	L3	B	H	b	h	B1	H1	P	C1	C2	X	Y	Z	M	T	G	Q
								±0.02	±0.02												
BK10	10	25	5	29	5	60	39	30	22	34	32.5	46	13	6	6.6	10.8	5	M3	16	-	-
BK12	12	25	5	29	5	60	43	30	25	34	32.5	46	13	6	6.6	10.8	1.5	M4	19	-	-
BK15	15	27	6	32	6	70	48	35	28	40	38	54	15	6	6.6	11	6.5	M4	22	-	-
BK17	17	35	9	44	7	86	64	43	39	50	55	68	19	8	9	14	8.5	M4	24	-	-
BK20	20	35	8	43	8	88	60	44	34	52	50	70	19	8	9	14	8.5	M4	30	26.7	M6
BK25	25	42	12	54	9	106	80	53	48	64	70	85	22	10	11	17	11	M5	35	39.5	M6
BK30	30	45	14	61	9	128	89	64	51	76	78	102	23	11	14	20	13	M6	40	41.5	M6
BK35	35	50	14	67	12	140	96	70	52	88	79	114	26	12	14	20	13	M8	50	42.5	M6
BK40	40	61	18	76	15	160	110	80	60	100	90	130	33	14	18	26	17.5	M8	50	42.5	M6

BF系列 (方形支撐側) Support Unit BF (Supported-side rectangular type)

訂購編號 Order Coding	型號 Model No.	表面處理 Surface treatment	適用螺桿 Applicable ballscrew accuracy grade	使用軸承 Bearing
BF10_C7	BF10	染黑 Black Oxide	C7	608ZZ
BF10_C3			C3 C5	608ZZ
BF10_C7N		化學鍍 Electroless Nickel Plating	C7	608DD
BF10_C3N			C3 C5	608DD
BF12_C7	BF12	染黑 Black Oxide	C7	6000ZZ
BF12_C3			C3 C5	6000ZZ
BF12_C7N		化學鍍 Electroless Nickel Plating	C7	6000DDU
BF12_C3N			C3 C5	6000DDU
BF15_C7	BF15	染黑 Black Oxide	C7	6002ZZ
BF15_C3			C3 C5	6002ZZ
BF15_C7N		化學鍍 Electroless Nickel Plating	C7	6002DDU
BF15_C3N			C3 C5	6002DDU
BF17_C7	BF17	染黑 Black Oxide	C7	6203ZZ
BF17_C3			C3 C5	6203ZZ
BF17_C7N		化學鍍 Electroless Nickel Plating	C7	6203DDU
BF17_C3N			C3 C5	6203DDU
BF20_C7	BF20	染黑 Black Oxide	C7	6004ZZ
BF20_C3			C3 C5	6004ZZ
BF20_C7N		化學鍍 Electroless Nickel Plating	C7	6004DDU
BF20_C3N			C3 C5	6004DDU
BF25_C7	BF25	染黑 Black Oxide	C7	6205ZZ
BF25_C3			C3 C5	6205ZZ
BF25_C7N		化學鍍 Electroless Nickel Plating	C7	6205DDU
BF25_C3N			C3 C5	6205DDU
BF30_C7	BF30	染黑 Black Oxide	C7	6206ZZ
BF30_C3			C3 C5	6206ZZ
BF30_C7N		化學鍍 Electroless Nickel Plating	C7	6206DDU
BF30_C3N			C3 C5	6206DDU
BF35_C7	BF35	染黑 Black Oxide	C7	6207ZZ
BF35_C3			C3 C5	6207ZZ
BF35_C7N		化學鍍 Electroless Nickel Plating	C7	6207DDU
BF35_C3N			C3 C5	6207DDU
BF40_C7	BF40	染黑 Black Oxide	C7	6208ZZ
BF40_C3			C3 C5	6208ZZ
BF40_C7N		化學鍍 Electroless Nickel Plating	C7	6208DDU
BF40_C3N			C3 C5	6208DDU



染黑 (適用環境: 一般)
Black Oxide (Application : General case)



化學鍍 (適用環境: 無塵室)
Electroless Nickel Plating (Application : Clean room)

備註 (Note)

1. 染黑使用之軸承採用雙鐵蓋
(It is used double pressed steel cages for Black Oxide type support units .)
2. 化學鍍使用之軸承採用雙塑膠蓋
(It is used double plastic cages for Electroless Nickel Plating type support units .)
3. 軸承皆採用日系品牌大廠
(All of bearings use Japan's brand bearings.)

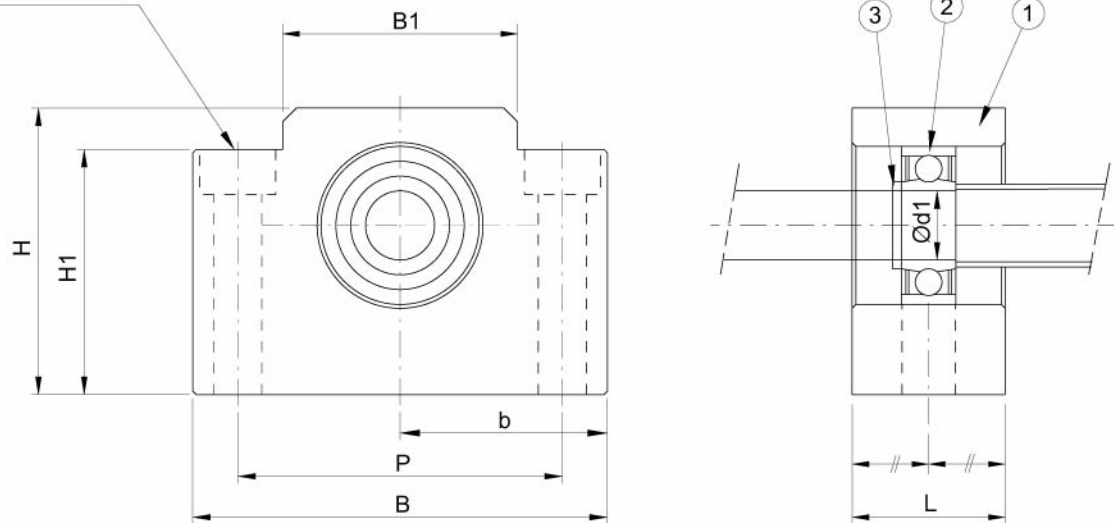


BF系列 (方形支撐側)
Support Unit BF
(Supported-side rectangular type)

編號 / Part No.	部品名稱 / Part name	數量 / Qty
1	軸承座本體 / Housing	1
2	軸承 / Bearing	1組 / 1 set
3	C型扣環 / Snap ring	1

BF

2-ØX鑽穿ØY鑽深Z
2-X drill ØY counter bore depth Z



單位 / Unit : mm

型號 Model No.	軸徑 Shaft diameter d1	L	B	H	b	h	B1	H1	P	X	Y	Z	使用軸承 Bearing	使用C型扣環 Snap ring
					±0.02	±0.02								
BF10	8	20	60	39	30	22	34	32.5	46	6.6	10.8	5	608ZZ	S 08
BF12	10	20	60	43	30	25	34	32.5	46	6.6	10.8	1.5	6000ZZ	S 10
BF15	15	20	70	48	35	28	40	38	54	6.6	11	6.5	6002ZZ	S 15
BF17	17	23	86	64	43	39	50	55	68	9	14	8.5	6203ZZ	S 17
BF20	20	26	88	60	44	34	52	50	70	9	14	8.5	6004ZZ	S 20
BF25	25	30	106	80	53	48	64	70	85	11	17	11	6205ZZ	S 25
BF30	30	32	128	89	64	51	76	78	102	14	20	13	6206ZZ	S 30
BF35	35	32	140	96	70	52	88	79	114	14	20	13	6207ZZ	S 35
BF40	40	37	160	110	80	60	100	90	130	18	26	17.5	6208ZZ	S 40

FK系列 (圓形固定側) Support Unit FK (fixed-side round type)

訂購編號 Order Coding	型號 Model No.	表面處理 Surface treatment	適用螺桿 Applicable ballscrew accuracy grade	使用軸承 Bearing			
FK05_C7	FK05	染黑 Black Oxide	C7	605	 <p style="text-align: center;">染黑 (適用環境：一般) Black Oxide (Application : General case)</p>		
FK05_C7N		化學鍍 Electroless Nickel Plating	C7	605			
FK06_C7	FK06	染黑 Black Oxide	C7	606			
FK06_C5			C5	706A P0			
FK06_C3			C3	706A P5			
FK06_C7N			C7	606			
FK06_C5N		化學鍍 Electroless Nickel Plating	C5	706A P0			
FK06_C3N			C3	706A P5			
FK08_C7			FK08	染黑 Black Oxide		C7	608
FK08_C5						C5	708A P0
FK08_C3	C3	708A P5					
FK08_C7N	C7	608					
FK08_C5N	化學鍍 Electroless Nickel Plating	C5		708A P0			
FK08_C3N		C3		708A P5			
FK10_C7		FK10		染黑 Black Oxide		C7	7000A P0
FK10_C5						C5	7000A P0
FK10_C3	C3		7000A P5				
FK10_C7N	化學鍍 Electroless Nickel Plating		C7	7000A P0			
FK10_C5N			C5	7000A P0			
FK10_C3N			C3	7000A P5			
FK12_C7	FK12	染黑 Black Oxide	C7	7001A P0			
FK12_C5			C5	7001A P0			
FK12_C3			C3	7001A P5			
FK12_C7N		化學鍍 Electroless Nickel Plating	C7	7001A P0			
FK12_C5N			C5	7001A P0			
FK12_C3N			C3	7001A P5			
FK15_C7	FK15	染黑 Black Oxide	C7	7002A P0			
FK15_C5			C5	7002A P0			
FK15_C3			C3	7002A P5			
FK15_C7N		化學鍍 Electroless Nickel Plating	C7	7002A P0			
FK15_C5N			C5	7002A P0			
FK15_C3N			C3	7002A P5			

備註 (Note) :

- FK05~FK08 C7級使用6字頭軸承，軸向需輕負荷，間隙約0.03mm。(欲訂此規格請先洽詢技術資料)
(Using deep groove ball bearings for FK05 to FK08 C7 types Support Units, Which only be applied to light load, and Max. axial clearance is around 0.03mm.)
- FK10~FK30 C7級使用之7字頭軸承無預壓處理，軸向最大間隙 0.018mm
(Using angular contact ball bearings without preload for FK10 to FK30 C7 types Support Units, and Max. axial clearance is 0.018mm.)
- C5級使用之軸承經預壓處理，軸向0間隙
(Bearings make Preload for C5 type support units, and Axial clearance is 0 mm.)
- 軸承皆採用日系品牌大廠
(All of bearings use Japan's brand bearings)

FK系列 (圓形固定側)
Support Unit FK (fixed-side round type)

訂購編號 Order Coding	型號 Model No.	表面處理 Surface treatment	適用螺桿 Applicable ballscrew accuracy grade	使用軸承 Bearing			
FK17_C7	FK17	染黑 Black Oxide	C7	7203A P0	 <p>★選配 Q (Q option)</p> <p>染黑 (適用環境: 一般) Black Oxide (Application : General case)</p>		
FK17_C5			C5	7203A P0			
FK17_C3			C3	7203A P5			
FK17_C7N		化學鍍 Electroless Nickel Plating	C7	7203A P0			
FK17_C5N			C5	7203A P0			
FK17_C3N			C3	7203A P5			
FK20_C7	FK20	染黑 Black Oxide	C7	7204A P0		 <p>染黑 (適用環境: 一般) Black Oxide (Application : General case)</p>	
FK20B_C7			C7	7204B P0			
FK20_C5			C5	7204A P0			
FK20B_C5			C5	7204B P0			
FK20_C3			C3	7204A P5			
FK20_C7N			化學鍍 Electroless Nickel Plating	C7			7204A P0
FK20B_C7N		C7		7204B P0			
FK20_C5N		C5		7204A P0			
FK20B_C5N		C5		7204B P0			
FK20_C3N		C3		7204A P5			
FK25_C7		FK25		染黑 Black Oxide	C7		7205A P0
FK25B_C7			C7		7205B P0		
FK25_C5	C5		7205A P0				
FK25B_C5	C5		7205B P0				
FK25_C3	C3		7205A P5				
FK25_C7N	化學鍍 Electroless Nickel Plating		C7		7205A P0		
FK25B_C7N			C7	7205B P0			
FK25_C5N			C5	7205A P0			
FK25B_C5N			C5	7205B P0			
FK25_C3N			C3	7205A P5			
FK30_C7			FK30	染黑 Black Oxide	C7	7206A P0	 <p>化學鍍 (適用環境: 無塵室) Electroless Nickel Plating (Application : Clean room)</p>
FK30B_C7	C7				7206B P0		
FK30_C5	C5	7206A P0					
FK30B_C5	C5	7206B P0					
FK30_C3	C3	7206A P5					
FK30_C7N	化學鍍 Electroless Nickel Plating	C7			7206A P0		
FK30B_C7N		C7		7206B P0			
FK30_C5N		C5		7206A P0			
FK30B_C5N		C5		7206B P0			
FK30_C3N		C3		7206A P5			

備註 (Note) :

1. C7級使用之7字頭軸承無預壓處理，軸向最大間隙 0.018mm
(Using angular contact ball bearings without preload for C7 types Support Units , and Max. axial clearance is 0.018mm.)
2. C5級使用之軸承經預壓處理，軸向0間隙
(Bearings make Preload for C5 type support units , and Axial clearance is 0 mm..)
3. 軸承皆採用日系品牌大廠
(All of bearings use Japan's brand bearings)
4. 標準品無油嘴 (標示★處)，若有需要請事先告知業務人員。
(The standard type is without Q , if required, please advise in advance.)

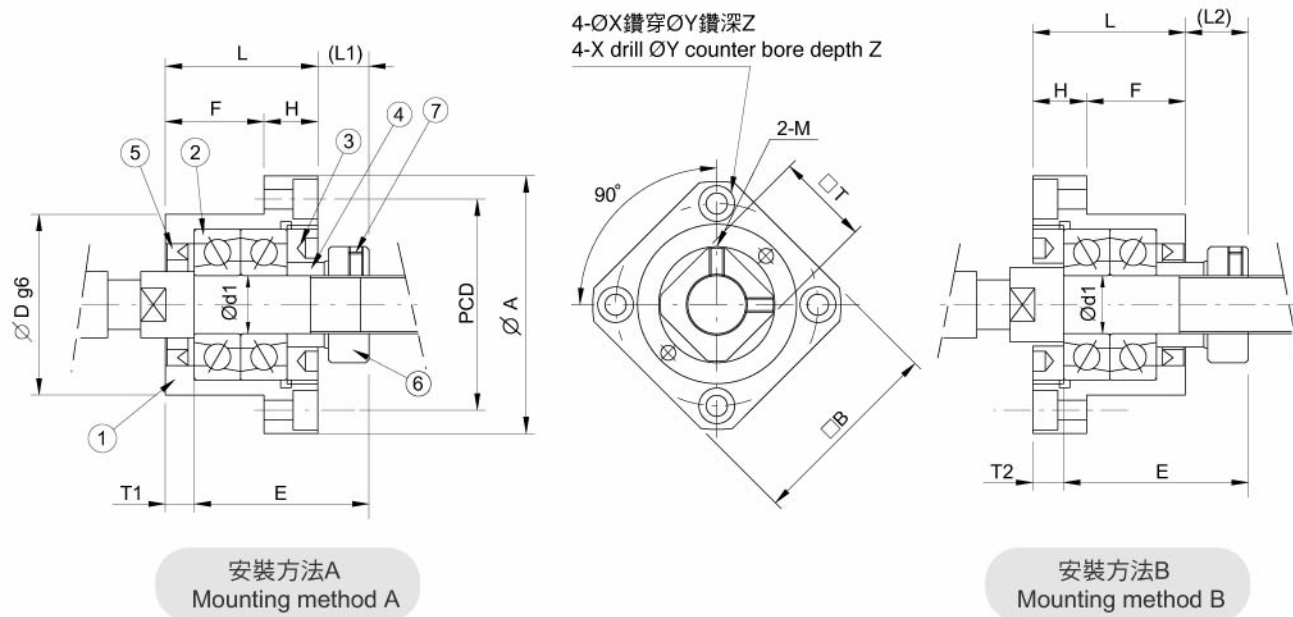
FK系列 (圓形固定側)

Support Unit FK
(fixed-side round type)



編號/Part No.	部品名稱/Part name	數量/Qty
1	軸承座本體/Housing	1
2	軸承/Bearing	1組/1 set
3	壓板/Holding lid	1
4	間隔圈/Collar	2
5	軸封/Seal	1
6	鎖固螺帽/Lock nut	1組/1set
7	內六角止付螺絲附銅片 Hexagon socket-head Setscrew(with set piece)	2

FK05~FK08



單位/Unit : mm

型號 Model No.	軸徑 Shaft diameter d1	L	H	F	E	Dg6	A	PCD	B	裝置方法A Mounting method A		裝置方法B Mounting method B		X	Y	Z	M	T
										L1	T1	L2	T2					
FK05	5	16.5	6	10.5	18.5	20 -0.007 -0.02	34	26	26	5.5	3.5	7	5	3.4	6.5	4	M3	11
FK06	6	20	7	13	22	22 -0.007 -0.02	36	28	28	5.5	3.5	8.5	6.5	3.4	6.5	4	M3	12
FK08	8	23	9	14	26	28 -0.007 -0.02	43	35	35	7	4	10	7	3.4	6.5	4	M3	14

FK系列 (圓形固定側)

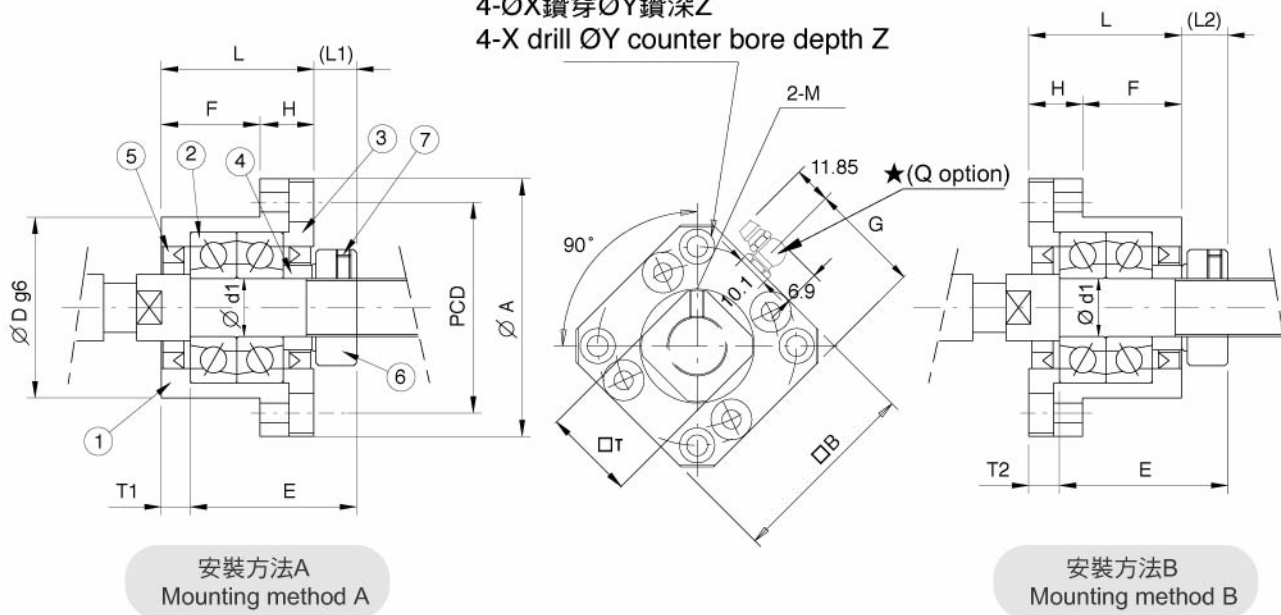
Support Unit FK
(fixed-side round type)



編號/Part No.	部品名稱/Part name	數量/Qty
1	軸承座本體/Housing	1
2	軸承/Bearing	1組/1 set
3	壓板/Holding lid	1
4	間隔圈/Collar	2
5	軸封/Seal	2
6	鎖固螺帽/Lock nut	1組/1set
7	內六角止付螺絲附銅片 Hexagon socket-head Setscrew(with set piece)	2

FK10~FK30

4-ØX鑽穿ØY鑽深Z
4-X drill ØY counter bore depth Z



安裝方法A
Mounting method A

安裝方法B
Mounting method B

單位/Unit : mm

型號 Model No.	軸徑 Shaft diameter d1	L	H	F	E	Dg6	A	PCD	B	裝置方法A Mounting method A		裝置方法B Mounting method B		X	Y	Z	M	T	G	Q
										L1	T1	L2	T2							
FK10	10	27	10	17	29.5	34 -0.009 -0.025	52	42	42	7.5	5	8.5	6	4.5	8	4	M3	16	-	-
FK12	12	27	10	17	29.5	36 -0.009 -0.025	54	44	44	7.5	5	8.5	6	4.5	8	4	M4	19	-	-
FK15	15	32	15	17	36	40 -0.009 -0.025	63	50	52	10	6	12	8	5.5	9.5	6	M4	22	-	-
FK17	17	45	22	23	47	50 -0.009 -0.025	77	62	61	11	9	14	12	6.6	11	10	M4	24	-	-
FK20	20	52	22	30	50	57 -0.010 -0.029	85	70	68	8	10	12	14	6.6	11	10	M4	30	34	M6
FK25	25	57	27	30	60	63 -0.010 -0.029	98	80	79	13	10	20	17	9	15	13	M5	35	39	M6
FK30	30	62	30	32	61	75 -0.010 -0.029	117	95	93	11	12	17	18	11	17.5	15	M6	40	46	M6

FF系列 (圓形支撐側)
Support Unit FF (Supported-side round type)

訂購編號 Order Coding	型號 Model No.	表面處理 Surface treatment	適用螺桿 Applicable ballscrew accuracy grade	使用軸承 Bearing	
FF06_C7	FF06	染黑 Black Oxide	C7	606ZZ	 <p>染黑 (適用環境: 一般) Black Oxide (Application : General case)</p>
FF06_C3			C3 C5	606ZZ	
FF06_C7N		化學鍍 Electroless Nickel Plating	C7	606VV	
FF06_C3N			C3 C5	606VV	
FF10_C7	FF10	染黑 Black Oxide	C7	608ZZ	
FF10_C3			C3 C5	608ZZ	
FF10_C7N		化學鍍 Electroless Nickel Plating	C7	608DD	
FF10_C3N			C3 C5	608DD	
FF12_C7	FF12	染黑 Black Oxide	C7	6000ZZ	
FF12_C3			C3 C5	6000ZZ	
FF12_C7N		化學鍍 Electroless Nickel Plating	C7	6000DDU	
FF12_C3N			C3 C5	6000DDU	
FF15_C7	FF15	染黑 Black Oxide	C7	6002ZZ	
FF15_C3			C3 C5	6002ZZ	
FF15_C7N		化學鍍 Electroless Nickel Plating	C7	6002DDU	
FF15_C3N			C3 C5	6002DDU	
FF17_C7	FF17	染黑 Black Oxide	C7	6203ZZ	
FF17_C3			C3 C5	6203ZZ	
FF17_C7N		化學鍍 Electroless Nickel Plating	C7	6203DDU	
FF17_C3N			C3 C5	6203DDU	
FF20_C7	FF20	染黑 Black Oxide	C7	6204ZZ	
FF20_C3			C3 C5	6204ZZ	
FF20_C7N		化學鍍 Electroless Nickel Plating	C7	6204DDU	
FF20_C3N			C3 C5	6204DDU	
FF25_C7	FF25	染黑 Black Oxide	C7	6205ZZ	
FF25_C3			C3 C5	6205ZZ	
FF25_C7N		化學鍍 Electroless Nickel Plating	C7	6205DDU	
FF25_C3N			C3 C5	6205DDU	
FF30_C7	FF30	染黑 Black Oxide	C7	6206ZZ	
FF30_C3			C3 C5	6206ZZ	
FF30_C7N		化學鍍 Electroless Nickel Plating	C7	6206DDU	
FF30_C3N			C3 C5	6206DDU	



染黑 (適用環境: 一般)
Black Oxide (Application : General case)



化學鍍 (適用環境: 無塵室)
Electroless Nickel Plating (Application : Clean room)

備註 (Note)

1. 染黑使用之軸承採用雙鐵蓋
(It is used double pressed steel cages for Black Oxide type support units.)
2. 化學鍍使用之軸承採用雙塑膠蓋
(It is used double plastic cages for Electroless Nickel Plating type support units.)
3. 軸承皆採用日系品牌大廠
(All of bearings use Japan's brand bearings.)

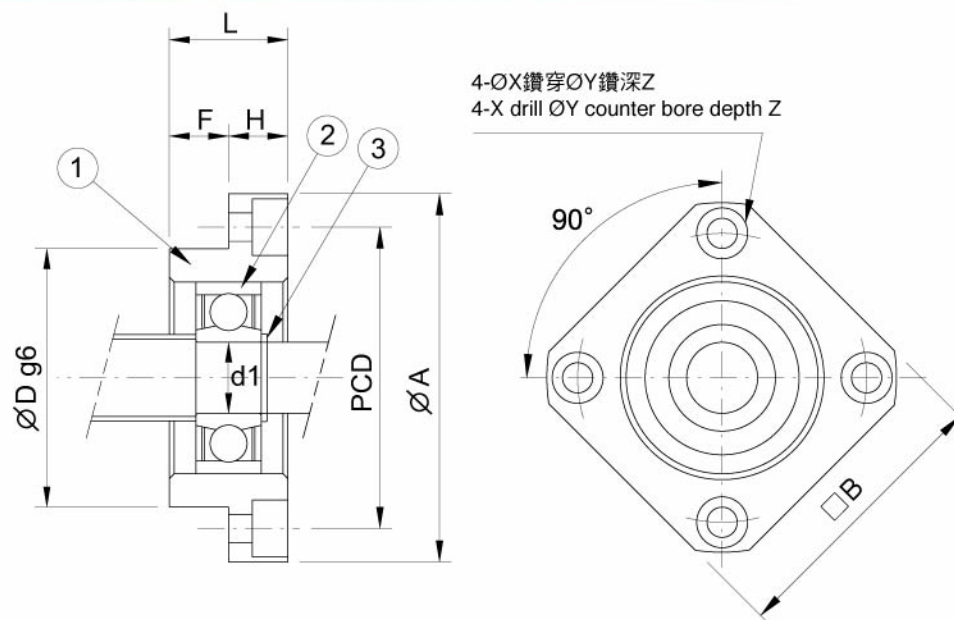
FF系列 (圓形支撐側)

Support Unit FF
(Supported-side round type)



編號 / Part No.	部品名稱 / Part name	數量 / Qty
1	軸承座本體 / Housing	1
2	軸承 / Bearing	1組 / 1 set
3	C型扣環 / Snap ring	1

FF



單位 / Unit : mm

型號 Model No.	軸徑 Shaft diameter d1	L	H	F	Dg6	A	PCD	B	X	Y	Z	使用軸承 Bearing	使用C型扣環 Snap ring
FF06	6	10	6	4	22 -0.007 -0.02	36	28	28	3.4	6.5	4	606ZZ	S 06
FF10	8	12	7	5	28 -0.007 -0.02	43	35	35	3.4	6.5	4	608ZZ	S 08
FF12	10	15	7	8	34 -0.009 -0.025	52	42	42	4.5	8	4	6000ZZ	S 10
FF15	15	17	9	8	40 -0.009 -0.025	63	50	52	5.5	9.5	5.5	6002ZZ	S 15
FF17	17	20	11	9	50 -0.009 -0.025	77	62	61	6.6	11	6.5	6203ZZ	S17
FF20	20	20	11	9	57 -0.010 -0.029	85	70	68	6.6	11	6.5	6204ZZ	S 20
FF25	25	24	14	10	63 -0.010 -0.029	98	80	79	9	14	8.5	6205ZZ	S 25
FF30	30	27	18	9	75 -0.010 -0.029	117	95	93	11	17	11	6206ZZ	S 30

AK系列 (方形固定側) Support Unit AK (fixed-side rectangular type)

訂購編號 Order Coding	型號 Model No.	表面處理 Surface treatment	適用螺桿 Applicable ballscrew accuracy grade	使用軸承 Bearing			
AK10_C7	AK10	染黑 Black Oxide	C7	7000A P0	 <p>★選配 Q (option)</p>		
AK10_C5			C5				
AK10_C3			C3				
AK10_C7N		化學鍍 Electroless Nickel Plating	C7	7000A P0			
AK10_C5N			C5				
AK10_C3N			C3			7000A P5	
AK12_C7	AK12	染黑 Black Oxide	C7	7001A P0			
AK12_C5			C5				
AK12_C3			C3				
AK12_C7N		化學鍍 Electroless Nickel Plating	C7	7001A P0			
AK12_C5N			C5				
AK12_C3N			C3			7001A P5	
AK15_C7	AK15	染黑 Black Oxide	C7	7002A P0			
AK15_C5			C5				
AK15_C3			C3				
AK15_C7N		化學鍍 Electroless Nickel Plating	C7	7002A P0			
AK15_C5N			C5				
AK15_C3N			C3		7002A P5		
AK20_C7	AK20	染黑 Black Oxide	C7	7204A P0		 <p>★選配 Q (option)</p>	
AK20B_C7			C7				7204B P0
AK20_C5			C5				
AK20B_C5			C5				
AK20_C3			C3	7204A P5			
AK20_C7N			化學鍍 Electroless Nickel Plating		C7		7204A P0
AK20B_C7N		C7			7204B P0		
AK20_C5N		C5					
AK20B_C5N		C5					
AK20_C3N		C3			7204A P5		

染黑 (適用環境: 一般)
Black Oxide (Application: General case)

化學鍍 (適用環境: 無塵室)
Electroless Nickel Plating (Application: Clean room)

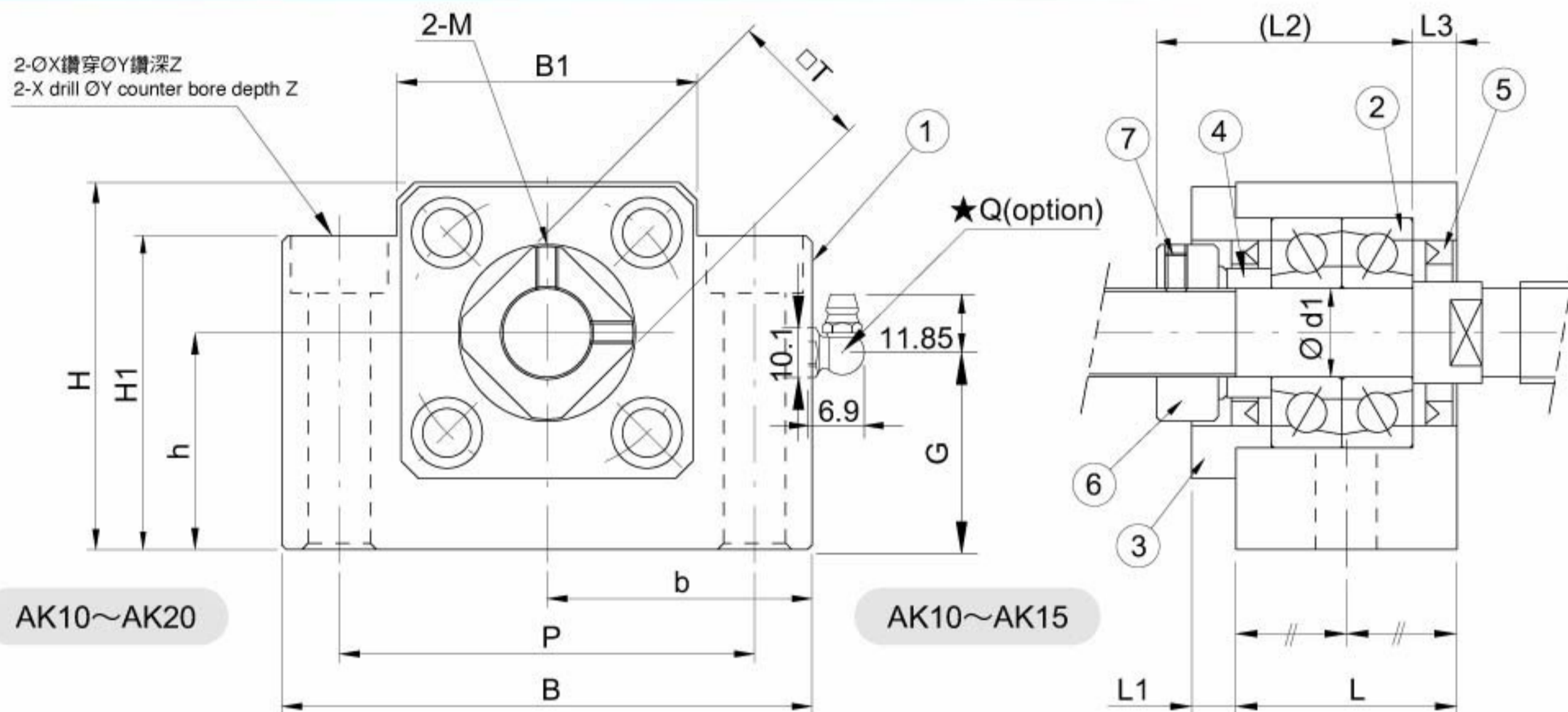
備註 (Note):

- C7級使用之7字頭軸承無預壓處理，軸向最大間隙 0.018mm
(Using angular contact ball bearings without preload for C7 types Support Units, and Max. axial clearance is 0.018mm.)
- C5級使用之軸承經預壓處理，軸向0間隙
(Bearings make Preload for C5 type support units, and Axial clearance is 0 mm.)
- 軸承皆採用日系品牌大廠
(All of bearings use Japan's brand bearings)
- 標準品無油嘴 (標示★處)，若有需要請事先告知業務人員。
(The standard type is without Q, if required, please advise in advance.)



AK系列 (固定側)
Support Unit AK
(fixed-side rectangular type)

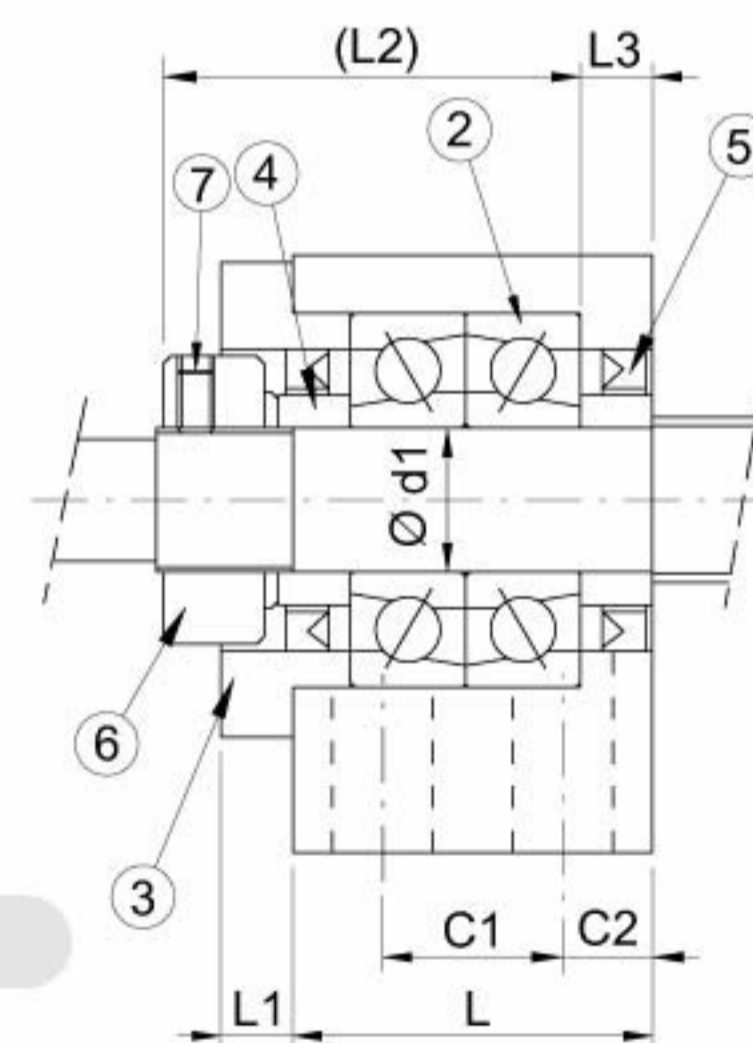
AK



AK10~AK20

AK10~AK15

編號 / Part No.	部品名稱 / Part name	數量 / Qty
1	軸承座本體 / Housing	1
2	軸承 / Bearing	1組 / 1 set
3	壓板 / Holding lid	1
4	間隔圈 / Collar	2
5	軸封 / Seal	2
6	鎖固螺帽 / Lock nut	1組 / 1set
7	內六角止付螺絲附銅片 Hexagon socket-head Setscrew (with set piece)	2



AK20

單位 / Unit : mm

型號 Model No.	軸徑 Shaft diameter d1	L	L1	L2	L3	B	H	b		h	B1	H1	P	X	Y	Z	M	T	C1	C2	G	Q	
								±0.02	±0.02														
AK10	10	24	6	29.5	6	70	43	35	25	36	35	52	9	14	11	M3	16	-	-	-	-	-	-
AK12	12	24	6	29.5	6	70	43	35	25	36	35	52	9	14	11	M4	19	-	-	-	-	-	-
AK15	15	25	6	36	5	80	49	40	30	41	40	60	11	17	15	M4	22	-	-	-	-	-	-
AK20	20	42	10	50	10	95	58	47.5	30	56	45	75	11	17	15	M4	30	22	10	24.5	M6	-	-

AF系列 (方形支撐側) Support Unit AF (Supported-side rectangular type)

訂購編號 Order Coding	型號 Model No.	表面處理 Surface treatment	適用螺桿 Applicable ballscrew accuracy grade	使用軸承 Bearing	
AF10_C7	AF10	染黑 Black Oxide	C7	608ZZ	 <p>染黑 (適用環境：一般) Black Oxide (Application : General case)</p>
AF10_C3			C3 C5	608ZZ	
AF10_C7N		化學鍍 Electroless Nickel Plating	C7	608DD	
AF10_C3N			C3 C5	608DD	
AF12_C7	AF12	染黑 Black Oxide	C7	6000ZZ	
AF12_C3			C3 C5	6000ZZ	
AF12_C7N		化學鍍 Electroless Nickel Plating	C7	6000DDU	
AF12_C3N			C3 C5	6000DDU	
AF15_C7	AF15	染黑 Black Oxide	C7	6002ZZ	 <p>化學鍍 (適用環境：無塵室) Electroless Nickel Plating (Application : Clean room)</p>
AF15_C3			C3 C5	6002ZZ	
AF15_C7N		化學鍍 Electroless Nickel Plating	C7	6002DDU	
AF15_C3N			C3 C5	6002DDU	
AF20_C7	AF20	染黑 Black Oxide	C7	6204ZZ	
AF20_C3			C3 C5	6204ZZ	
AF20_C7N		化學鍍 Electroless Nickel Plating	C7	6204DDU	
AF20_C3N			C3 C5	6204DDU	

備註 (Note)

1. 染黑使用之軸承採用雙鐵蓋
(It is used double pressed steel cages for Black Oxide type support units .)
2. 化學鍍使用之軸承採用雙塑膠蓋
(It is used double plastic cages for Electroless Nickel Plating type support units .)
3. 軸承皆採用日系品牌大廠
(All of bearings use Japan's brand bearings.)

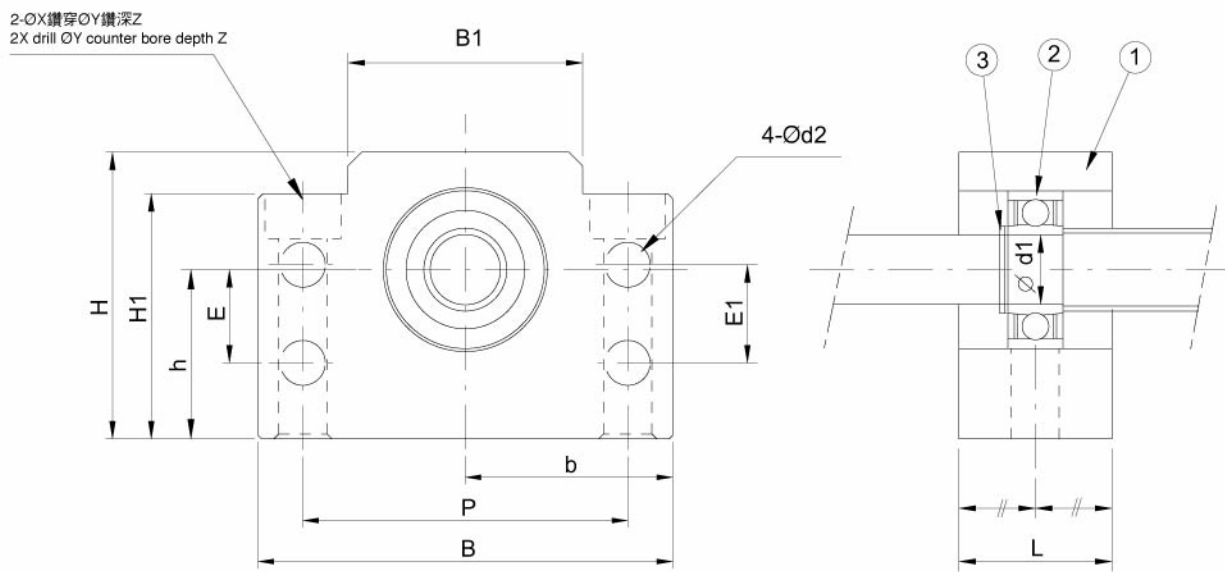
AF系列 (支撐側)

Support Unit AF (supported-side rectangular type)



編號 / Part No.	部品名稱 / Part name	數量 / Qty
1	軸承座本體 / Housing	1
2	軸承 / Bearing	1組 / 1 set
3	C型扣環 / Snap ring	1

AF



單位 / Unit : mm

型號 Model No.	軸徑 Shaft diameter d1	L	B	H	b	h	B1	H1	E1	P	d2	X	Y	Z	E	使用軸承 Bearing	使用C型扣環 Snap ring
					±0.02	±0.02											
AF10	8	20	70	43	35	25	36	35	19	52	6.6	9	14	11	15	608ZZ	S 08
AF12	10	20	70	43	35	25	36	35	19	52	6.6	9	14	11	15	6000ZZ	S 10
AF15	15	20	80	49	40	30	41	40	19	60	6.6	9	14	11	15	6002ZZ	S 15
AF20	20	26	95	58	47.5	30	56	45	19	75	6.6	11	17	15	15	6204ZZ	S 20

鎖固螺帽 Lock nut

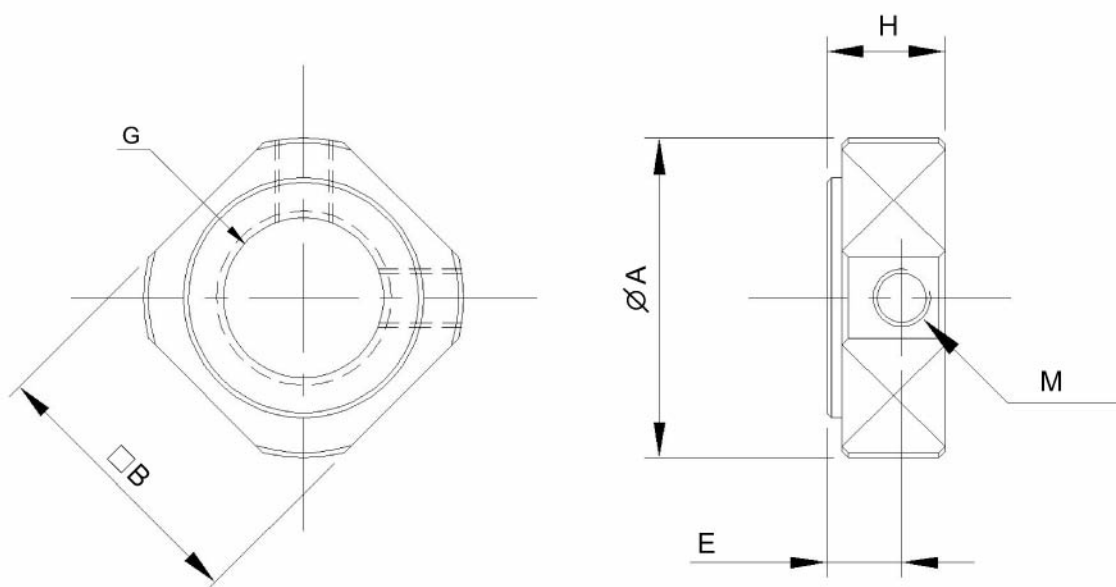
訂購編號 Order Coding	型號 Model No.	表面處理 Surface treatment	鎖緊扭矩kgf-cm		
RN05	M5*PO.5	染黑 Black Oxide		 <p>染黑 (適用環境: 一般) Black Oxide (Application : General case)</p>	
RN05_N		化學鍍 Electroless Nickel Plating			
RN06	M6*PO.75	染黑 Black Oxide	25		
RN06_N		化學鍍 Electroless Nickel Plating			
RN08	M8*P1.0	染黑 Black Oxide	50		
RN08_N		化學鍍 Electroless Nickel Plating			
RN10	M10*P1.0	染黑 Black Oxide	95		
RN10_N		化學鍍 Electroless Nickel Plating			
RN12	M12*P1.0	染黑 Black Oxide	140		
RN12_N		化學鍍 Electroless Nickel Plating			
RN15	M15*P1.0	染黑 Black Oxide	240	 <p>化學鍍 (適用環境: 無塵室) Electroless Nickel Plating (Application : Clean room)</p>	
RN15_N		化學鍍 Electroless Nickel Plating			
RN17	M17*P1.0	染黑 Black Oxide			
RN17_N		化學鍍 Electroless Nickel Plating			
RN17W	M17*P1.0 (WBK17-31用)	染黑 Black Oxide	550		
RN17W_N		化學鍍 Electroless Nickel Plating			
RN20	M20*P1.0	染黑 Black Oxide	480		
RN20_N		化學鍍 Electroless Nickel Plating			
RN20W	M20*P1.0 (WBK20-31用)	染黑 Black Oxide	750		<p>重荷型 (WBK)</p>   <p>染黑 (適用環境: 一般) Black Oxide (Application : General case)</p>
RN20W_N		化學鍍 Electroless Nickel Plating			
RN25	M25*P1.5	染黑 Black Oxide	860		
RN25_N		化學鍍 Electroless Nickel Plating			
RN25W	M25*P1.5 (WBK25-31用)	染黑 Black Oxide	1350		
RN25W_N		化學鍍 Electroless Nickel Plating			
RN30	M30*P1.5	染黑 Black Oxide			
RN30_N		化學鍍 Electroless Nickel Plating			
RN30W	M30*P1.5 (WBK30-31用)	染黑 Black Oxide	2000	<p>重荷型 (WBK)</p>   <p>化學鍍 (適用環境: 無塵室) Electroless Nickel Plating (Application : Clean room)</p>	
RN30W_N		化學鍍 Electroless Nickel Plating			
RN35	M35*P1.5	染黑 Black Oxide			
RN35_N		化學鍍 Electroless Nickel Plating			
RN35W	M35*P1.5 (WBK35-31用)	染黑 Black Oxide	3000		
RN35W_N		化學鍍 Electroless Nickel Plating			
RN40	M40*P1.5	染黑 Black Oxide			
RN40_N		化學鍍 Electroless Nickel Plating			
RN40W	M40*P1.5 (WBK40-31用)	染黑 Black Oxide	4000		
RN40W_N		化學鍍 Electroless Nickel Plating			

鎖固螺帽
Lock Nut



編號 / Part No.	部品名稱 / Part name	數量 / Qty
1	鎖固螺帽 / Lock nut	1組 / 1 set
2	內六角止付螺絲附鋼片 Hexagon socket-head Setscrew(with set place)	2

Lock Nut



單位 / Unit : mm

型號 Model No.	H	A	E	M	B	G
RN05 RN05_N	5	12.5	2.7	M3x0.5	11	M5x0.5
RN06 RN06_N	5	13.5	2.7	M3x0.5	12	M6x0.75
RN08 RN08_N	6.5	16	4	M3x0.5	14	M8x1.0
RN10 RN10_N	8	19	5.5	M3x0.5	16	M10x1.0
RN12 RN12_N	8.1	22	5.1	M4x0.7	19	M12x1.0
RN15 RN15_N	8	25	4.5	M4x0.7	22	M15x1.0

單位 / Unit : mm

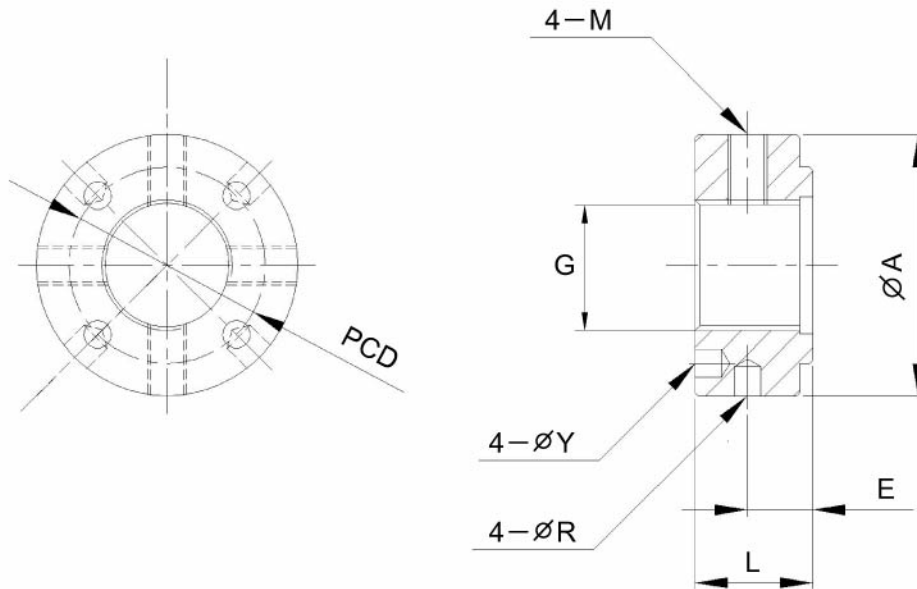
型號 Model No.	H	A	E	M	B	G
RN17 RN17_N	13	29	9	M4x0.7	24	M17x1.0
RN20 RN20_N	11	35	7	M5x0.8	30	M20x1.0
RN25 RN25_N	15	43	10	M5x0.8	35	M25x1.5
RN30 RN30_N	20	48	14	M6x1.0	40	M30x1.5
RN35 RN35_N	21	60	14	M8x1.25	50	M35x1.5
RN40 RN40_N	25	62	18	M8x1.25	50	M40x1.5

鎖固螺帽 (重荷型)
Lock Nut (WBK)



編號 / Part No.	部品名稱 / Part name	數量 / Qty
1	鎖固螺帽 / Lock nut	1組 / 1 set
2	內六角止付螺絲附鋼片 Hexagon socket-head Setscrew (with set place)	4

Lock Nut (WBK)



單位 / Unit : mm

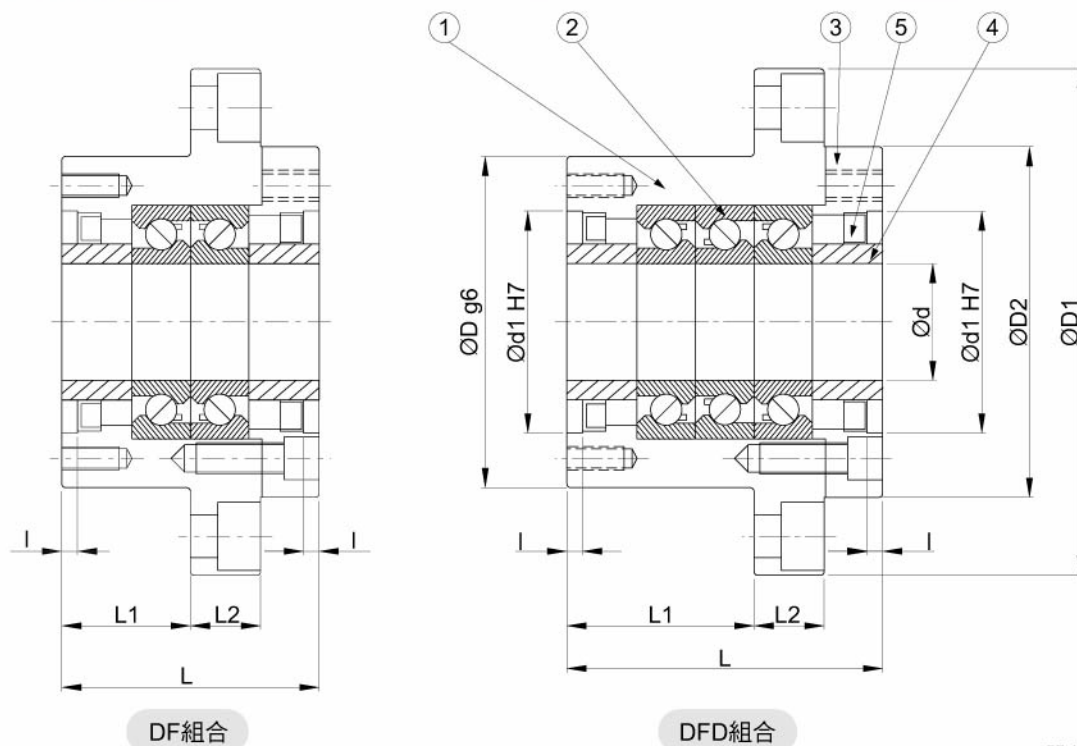
型號 Model No.	L	E	A	M	Y	R	PCD	G
RN17W RN17W_N	18	10	37	M6x1.0	4.3	4	27	M17x1.0
RN20W RN20W_N	18	10	40	M6x1.0	4.3	4	30	M20x1.0
RN25W RN25W_N	20	11	45	M6x1.0	4.3	4	30	M25x1.5
RN30W RN30W_N	20	11	50	M6x1.0	4.3	5	40	M30x1.5
RN35W RN35W_N	22	12	55	M6x1.0	4.3	5	45	M35x1.5
RN40W RN40W_N	22	12	60	M6x1.0	4.3	5	50	M40x1.5



WBK型高荷重支撐座
WBK type support Unit
(heavy-load)

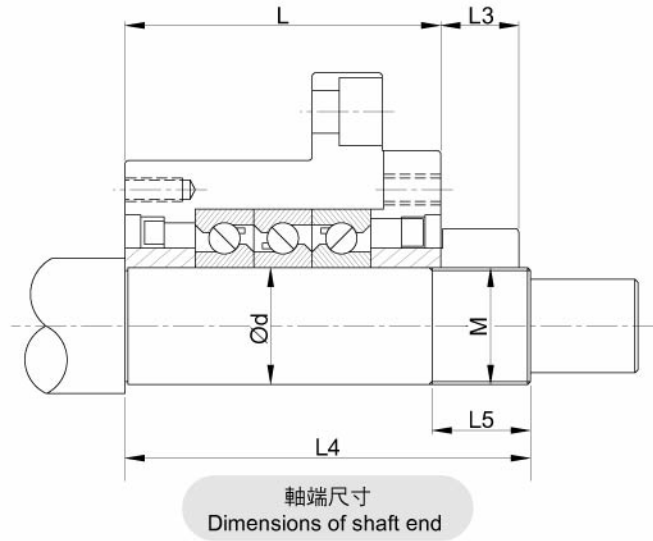
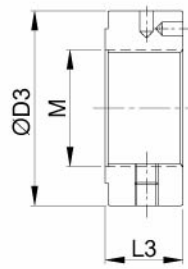
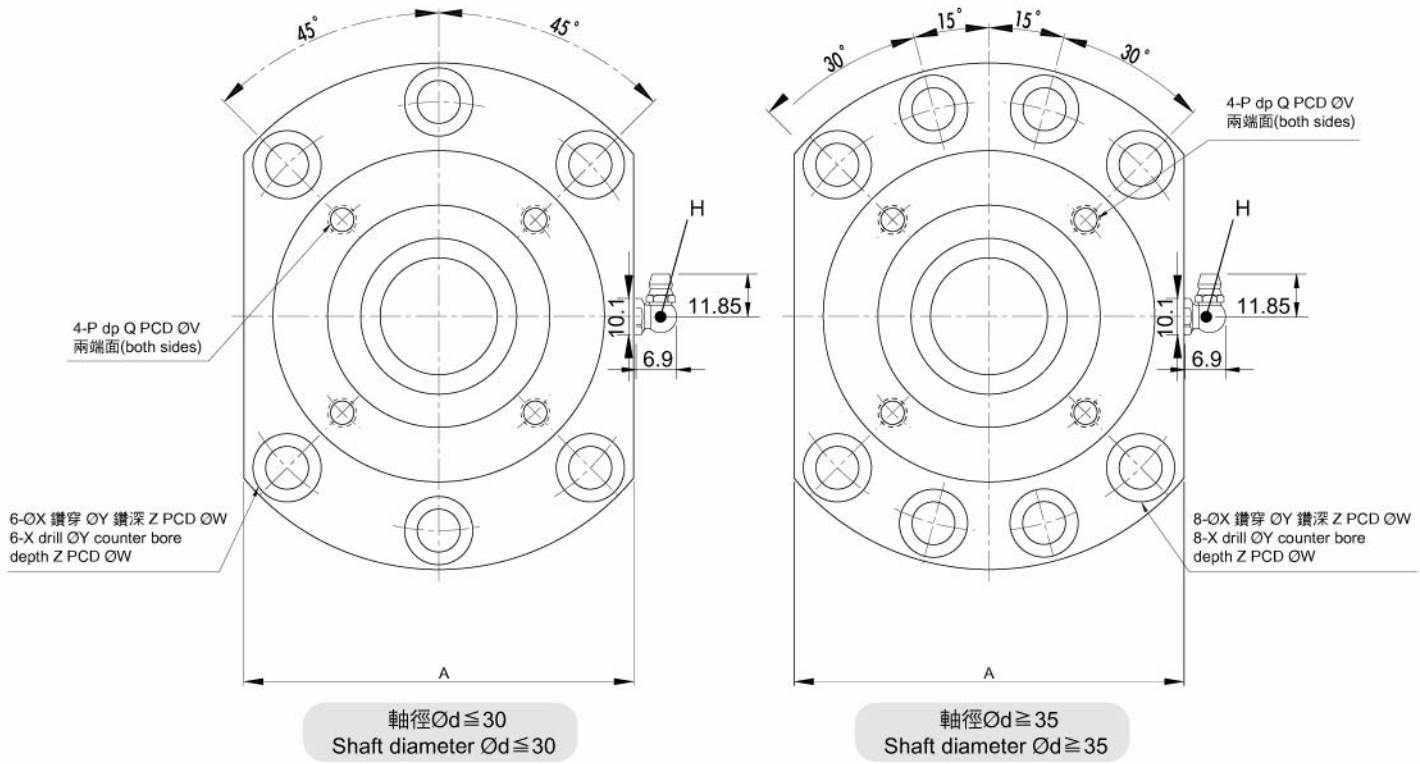
編號 / Part No.	部品名稱 / Part name	數量 / Qty
1	軸承座本體 / Housing	1
2	軸承 / Bearing	1組 / 1 set
3	壓板 / Holding lid	1
4	間隔圈 / Collar	2
5	軸封 / Seal	2

WBK



單位 / Unit : mm

型號 Model No.	支撐座尺寸 Dimensions of support unit																	
	d	D	D1	D2	L	L1	L2	A	W	X	Y	Z	d1	I	V	P	Q	H
WBK 17DF	17	70	106	72	60	32	15	80	88	9	14	8.5	45	3	58	M5	10	M6
WBK 20DF	20	70	106	72	60	32	15	80	88	9	14	8.5	45	3	58	M5	10	M6
WBK 25DF	25	85	130	90	66	33	18	100	110	11	17	11	57	4	70	M6	12	M6
WBK 25DFD	25	85	130	90	81	48	18	100	110	11	17	11	57	4	70	M6	12	M6
WBK 30DF	30	85	130	90	66	33	18	100	110	11	17	11	57	4	70	M6	12	M6
WBK 30DFD	30	85	130	90	81	48	18	100	110	11	17	11	57	4	70	M6	12	M6
WBK 35DF	35	95	142	102	66	33	18	106	121	11	17	11	69	4	80	M6	12	M6
WBK 35DFD	35	95	142	102	81	48	18	106	121	11	17	11	69	4	80	M6	12	M6
WBK 40DF	40	95	142	102	66	33	18	106	121	11	17	11	69	4	80	M6	12	M6
WBK 40DFD	40	95	142	102	81	48	18	106	121	11	17	11	69	4	80	M6	12	M6



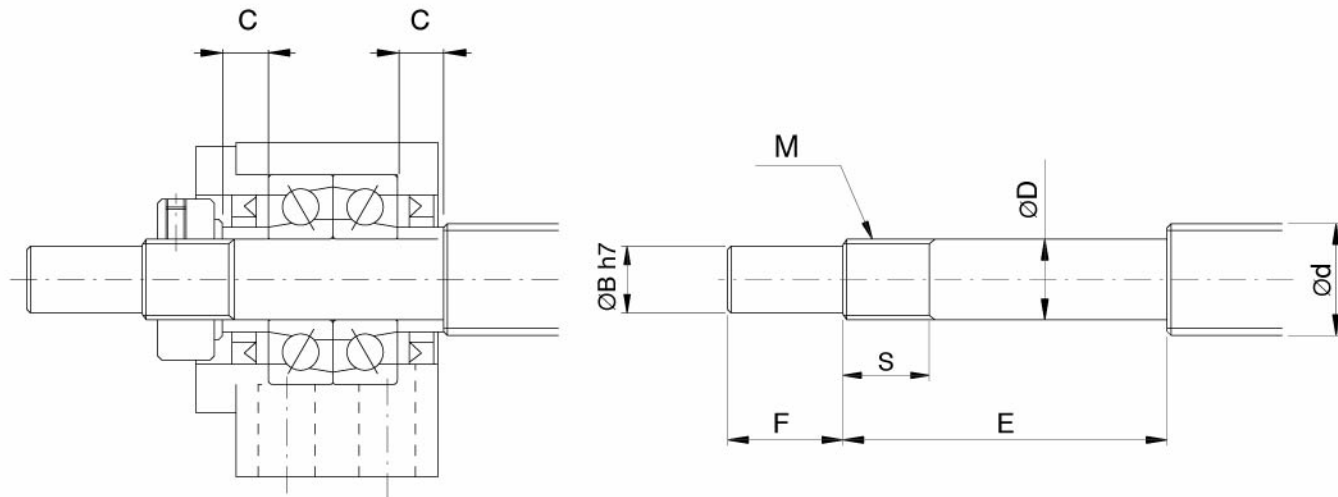
單位/Unit : mm

使用軸承 Model No.	基本動定格荷重 Basic dynamic load rating Ca(N)	界限荷重 Permissible axial load (N)	預壓荷重 Preload (N)	軸方向剛性 Axial rigidity (N/um)	起動力矩 Starting torque (N-cm)	鎖固螺帽 Lock nut			重量 Weight Kgs	軸端尺寸 Dimensions of shaft end		
						M	D3	L3		d	L4	L5
17TAC47 P4	21900	26600	2150	750	14.0	M17×1	37	18	1.9	17	81	23
20TAC47 P4	21900	26600	2150	750	14.0	M20×1	40	18	1.9	20	81	23
25TAC62 P4	28500	40500	3150	1000	23.0	M25×1.5	45	20	3.1	25	89	26
25TAC62 P4	46500	81500	4300	1470	31.0	M25×1.5	45	20	3.4	25	104	26
30TAC62 P4	29200	43000	3350	1030	24.0	M30×1.5	50	20	3.0	30	89	26
30TAC62 P4	47500	86000	4500	1520	33.0	M30×1.5	50	20	3.3	30	104	26
35TAC72 P4	31000	50000	3800	1180	28.0	M35×1.5	55	22	3.4	35	92	30
35TAC72 P4	50500	100000	5200	1710	37.0	M35×1.5	55	22	4.3	35	107	30
40TAC72 P4	31500	52000	3900	1230	28.0	M40×1.5	60	22	3.6	40	92	30
40TAC72 P4	51500	104000	5300	1810	38.0	M40×1.5	60	22	4.2	40	107	30

支撐座適用滾珠螺桿外徑 Type of Support Units and applicable Ball Screw diameters

固定側支撐座 內徑 (mm) Fixed-side support unit ID(mm)	固定側支撐座 適用型號 Fixed-side support unit applicable model	支撐側支撐座 內徑 (mm) Supported-side support unit ID(mm)	支撐側支撐座 適用型號 Supported-side support unit applicable model	適用滾珠螺桿外徑 Applicable Ball Screw OD (mm)
5	EK05 FK05	-	-	Ø6
6	EK06 FK06	6	EF06 FF06	Ø8
8	EK08 FK08	6	EF08 FF06	Ø10
10	EK10 FK10 BK10 AK10	8	EF10 FF10 BF10 AF10	Ø10,Ø12,Ø14
12	EK12 FK12 BK12 AK12	10	EF12 FF12 BF12 AF12	Ø14,Ø15,Ø16
15	EK15 FK15 BK15 AK15	15	EF15 FF15 BF15 AF15	Ø20
17	BK17 FK17	17	BF17 FF17	Ø20,Ø25
20	EK20 FK20 BK20 AK20	20	EF20 FF20 BF20 AF20	Ø25,Ø28
25	FK25 BK25	25	FF25 BF25	Ø32,Ø36
30	FK30 BK30	30	FF30 BF30	Ø40,Ø45
35	BK35	35	BF35	Ø45
40	BK40	40	BF40	Ø50

建議軸端加工尺寸 (固定側)BK型
Recommended shaft end shape (Fixed-side)
for Support Units types

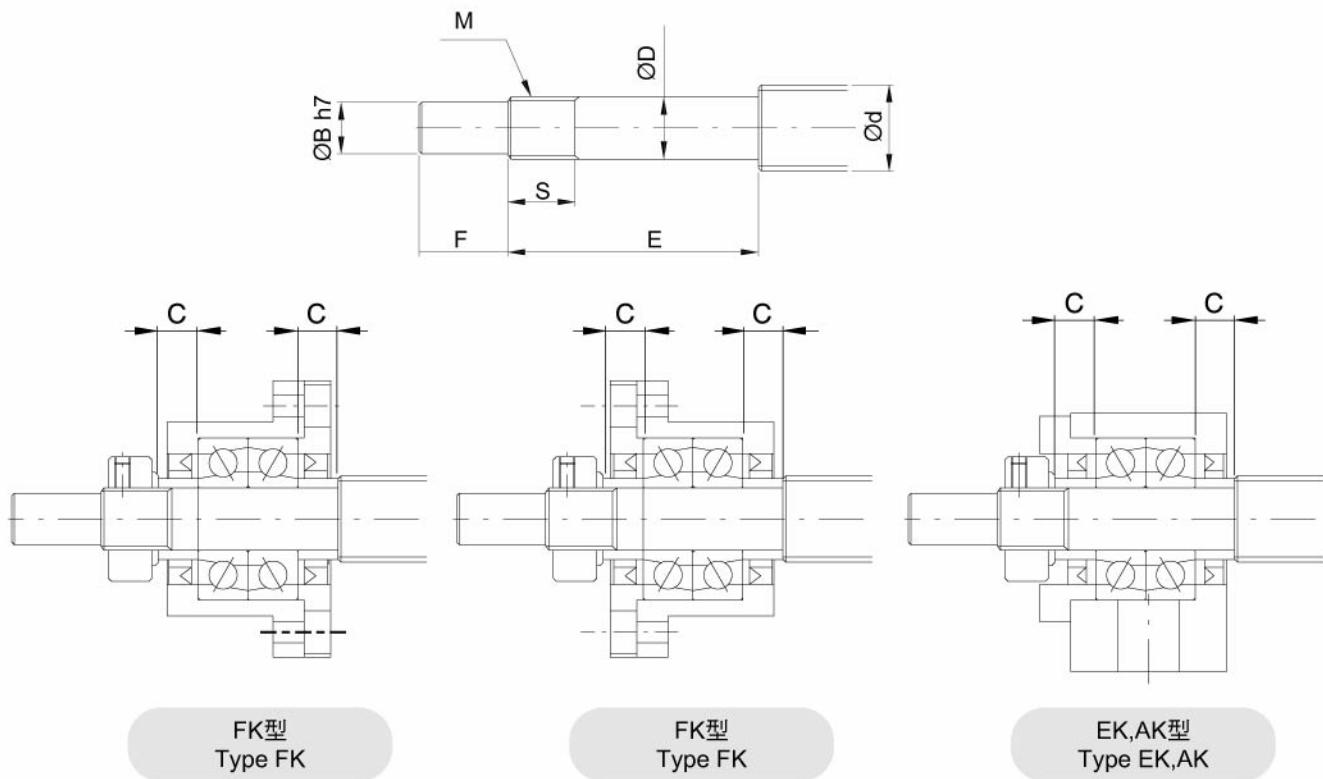


BK型
Type BK

單位/Unit : mm

型號 Support unit model No.	滾珠螺桿軸外徑 Ballscrew shaft OD	軸端部外徑 Shaft support portion OD				公稱螺紋 Metric screw thread	套筒長度 Metric screw thread	
BK型 Type BK	d	D	B	E	F	M	S	C
BK10	12/14/15	10 -0.005 -0.012	8	36	15	M10×1	16	5.5
BK12	14/15/16	12 -0.005 -0.012	10	36	15	M12×1	14	5.5
BK15	18/20	15 -0.005 -0.014	12	40	20	M15×1	12	6
BK17	20/25	17 -0.005 -0.014	15	53	23	M17×1	17	7
BK20	25/28	20 -0.005 -0.014	17	53	25	M20×1	15	8
BK25	32/36	25 -0.005 -0.014	20	65	30	M25×1.5	18	9
BK30	36/40	30 -0.005 -0.015	25	72	38	M30×1.5	25	9
BK35	45	35 -0.005 -0.015	30	81	45	M35×1.5	28	12
BK40	50	40 -0.005 -0.015	35	93	50	M40×1.5	35	15

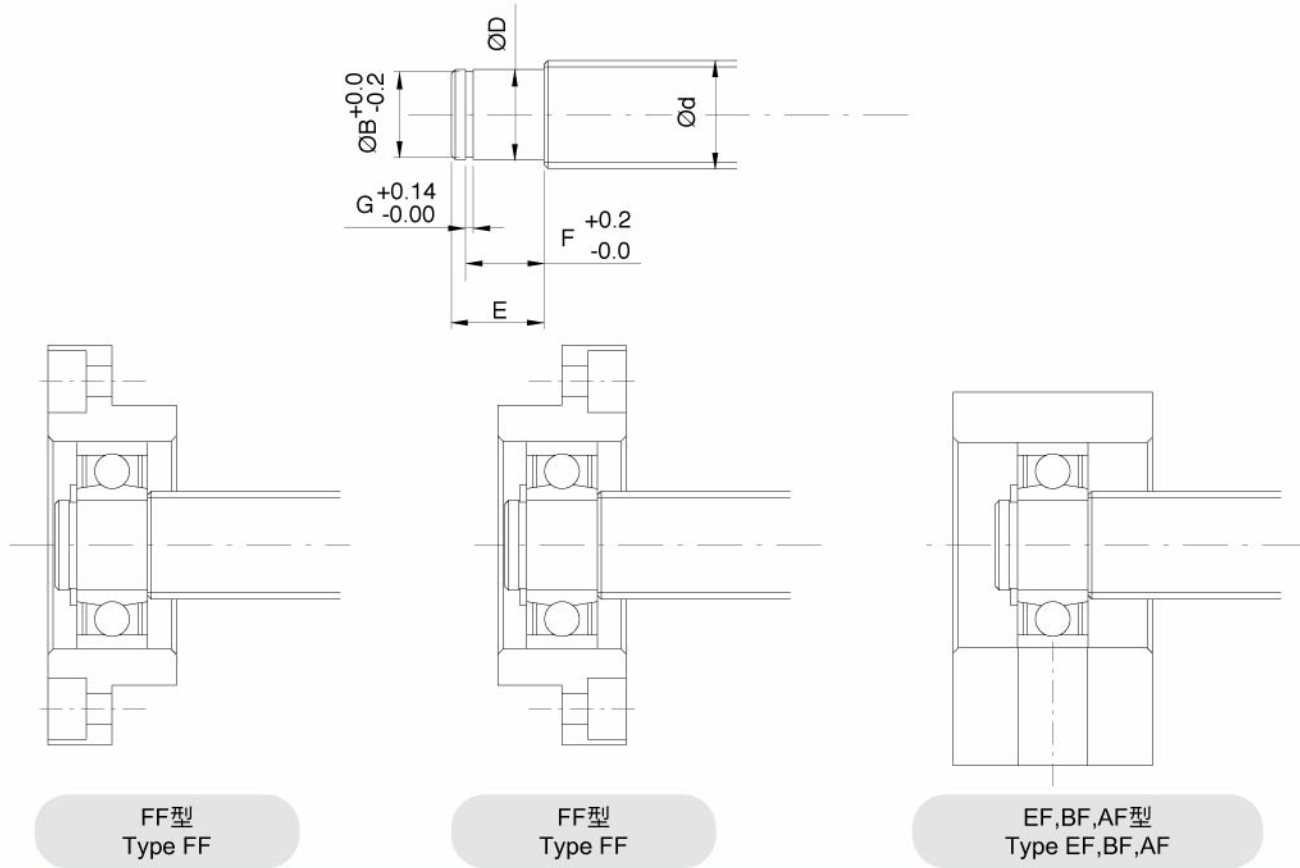
建議軸端加工尺寸 (固定側)FK,EK,AK型
Recommended shaft end shape(Fixed-side)
for Support Units types FK,EK,AK



單位/Unit : mm

型號 Support unit model No.			滾珠螺桿軸外徑 Ballscrew shaft OD	軸端部外徑 Shaft support portion OD			公稱螺紋 Metric screw thread		套筒長度 Metric screw thread	
FK型 Type FK	EK型 Type EK	AK型 Type AK	d	D	B	E	F	M	S	C
FK05	EK05	-	8	5 -0.005 -0.012	4	25	6	M5×0.5	7	3.5
FK06	EK06	-	8	6 -0.005 -0.012	4	28	8	M6×0.75	8	5
FK08	EK08	-	10/12	8 -0.005 -0.012	6	32	9	M8×1	10	5.5
FK10	EK10	AK10	12/14/15	10 -0.005 -0.012	8	36	15	M10×1	11	5.5
FK12	EK12	AK12	14/15/16	12 -0.005 -0.012	10	36	15	M12×1	11	5.5
FK15	EK15	AK15	18/20	15 -0.005 -0.014	12	47	20	M15×1	13	10
FK17	-	-	20/25	17 -0.005 -0.014	15	58	23	M17×1	15	10
FK20	EK20	AK20	25/28/30	20 -0.005 -0.014	17	62	25	M20×1	17	11
FK25	-	-	30/32/36	25 -0.005 -0.014	20	76	30	M25×1.5	20	15
FK30	-	-	36/40	30 -0.005 -0.015	25	72	38	M30×1.5	25	9

建議軸端加工尺寸（支撐側）.....FF,EF,BF,AF型
Recommended shaft end shape(Supported-side)
for Support Units types FF,EF,BF,AF



型號 Support unit model No.				滾珠螺桿軸外徑 Ballscrew shaft OD	軸端部外徑 Shaft support portion OD					
FF型 Type FF	EF型 Type EF	BF型 Type BF	AF型 Type AF	d	D	E	B	F	G	
FF06	EF06	-	-	8	6 -0.005 -0.012	9	5.7	6.8	0.8	
-	EF08	-	-	10	6 -0.005 -0.012	9	5.7	6.8	0.8	
FF10	EF10	BF10	AF10	12/14/15	8 -0.005 -0.012	10	7.6	7.9	0.9	
FF12	EF12	BF12	AF12	14/15/16	10 -0.005 -0.012	11	9.6	9.15	1.15	
FF15	EF15	BF15	AF15	18/20	15 -0.005 -0.014	13	14.3	10.15	1.15	
FF17	-	BF17	-	20/25	17 -0.005 -0.014	16	16.2	13.15	1.15	
FF20	EF20	Note(BF20)	AF20	25/28/30	20 -0.005 -0.014	19(16)	19	15.35(13.35)	1.35	
FF25	-	BF25	-	30/32/36	25 -0.005 -0.014	20	23.9	16.35	1.35	
FF30	-	BF30	-	36/40	30 -0.005 -0.015	21	28.6	17.75	1.75	
-	-	BF35	-	40/45	35 -0.005 -0.015	22	33	18.75	1.75	
-	-	BF40	-	50	40 -0.005 -0.015	23	38	19.95	1.95	

支撐座各廠牌型號對照表
Ballscrew support unit equivalent interchangeable
for major manufacturer

SYK & THK
BK10
BK12
BK15
BK17
BK20
BK25
BK30
BK35
BK40

BF10
BF12
BF15
BF17
BF20
BF25
BF30
BF35
BF40

SYK&THK	KURODA	NSK	MISUMI
EK05	-	-	-
EK06	BUK-6	WBK06-01A	BSW06
EK08	BUK-8F	WBK08-01A	BSW08
EK10	-	-	-
EK12	-	-	-
EK15	-	-	-
EK20	-	-	-

EF06	-	-	BUN06
EF08	BUK-6S	WBK08S-01	BUN08
EF10	-	-	-
EF12	-	-	-
EF15	-	-	-
EF20	-	-	-

SYK	KURODA	NSK	MISUMI
AK10	BUK-10F	WBK10-01A	BSW10
AK12	BUK-12F	WBK12-01A	BSW12
AK15	BUK-15F	WBK15-01A	BSW15
BK17	-	WBK17-01A	-
AK20	BUK-20F	WBK20-01A	BSW20
-	BUK-25F	WBK25-01A	BSW25

AF10	BUK-8S	WBK10S-01	BUN10
AF12	BUK-10S	WBK12S-01	BUN12
AF15	BUK-15S	WBK15S-01	BUN15
BF17	-	WBK17S-01	-
AF20	BUK-20S	WBK20S-01	BUN20
-	BUK-25S	WBK25S-01	BUN25

SYK&THK	KURODA	NSK	MISUMI
FK05	-	-	-
FK06	-	WBK06-11	BRW06
FK08	BUM-8	WBK08-11	BRW08
FK10	BUM-10	WBK10-11	BRW10
FK12	BUM-12	WBK12-11	BRW12
FK15	BUM-15	WBK15-11	BRW15
FK17	-	-	-
FK20	BUM-20	WBK20-11	BRW20
FK25	BUM-25	WBK25-11	BRW25
FK30	-	-	-

FF06	-	-	BUR06
FF10	-	-	BUR10
FF12	-	-	BUR12
FF15	-	-	BUR15
FF17	-	-	-
FF20	-	-	BUR20
FF25	-	-	BUR25
FF30	-	-	-

SYK	NSK
WBK 17DF	WBK 17DF-31
WBK 20DF	WBK 20DF-31
WBK 25DF	WBK 25DF-31
WBK 25DFD	WBK 25DFD-31
WBK 30DF	WBK 30DF-31
WBK 30DFD	WBK 30DFD-31
WBK 35DF	WBK 35DF-31
WBK 35DFD	WBK 35DFD-31
WBK 40DF	WBK 40DF-31
WBK 40DFD	WBK 40DFD-31

支撐座固定端軸向負荷參考表
Reference of Axial load of fixed-side type support units

支撐座型號 Model No.		軸承 Bearing	靜負荷 Static load (Kgf)	軸向負荷 Allowable Axial load (Kgf)	極限轉速 Limiting RPM (RPM)
FK06	EK06	706	106	53	
FK08	EK08	708	148	74	
BK10	AK10	7000A	266	133	16800
FK10	EK10				
BK12	AK12	7001A	305	153	15400
FK12	EK12				
BK15	AK15	7002A	350	175	13300
FK15	EK15				
BK17	FK17	7203A	610	305	11200
		7203B	565	363	7700
BK20		7004A	670	335	10500
FK20	AK20	7204A	845	423	9100
	EK20	7204B	780	501	6650
BK25	FK25	7205A	1050	525	8400
		7205B	960	617	5950
BK30	FK30	7206A	1510	755	7000
		7206B	1380	887	4970
BK35		7207B	1870	1202	4200
BK40		7208B	2340	1504	3710